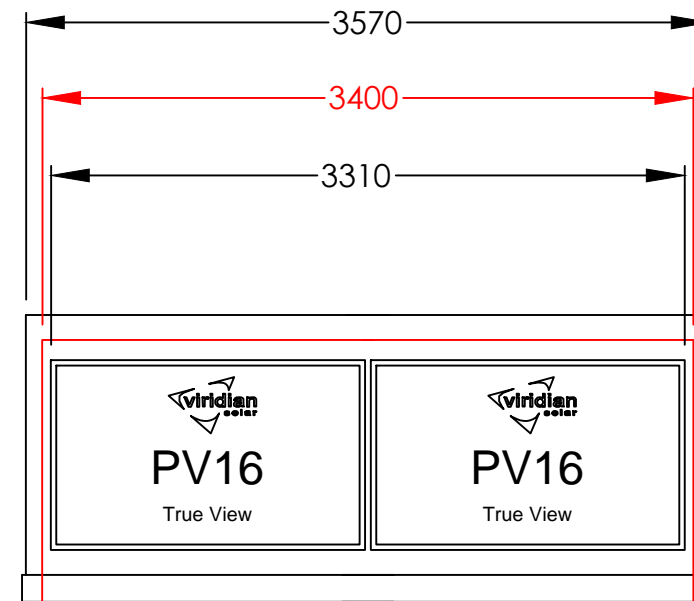


F16-LL F16-LC F16-LR

Close-coupled trio of panels
5240mm



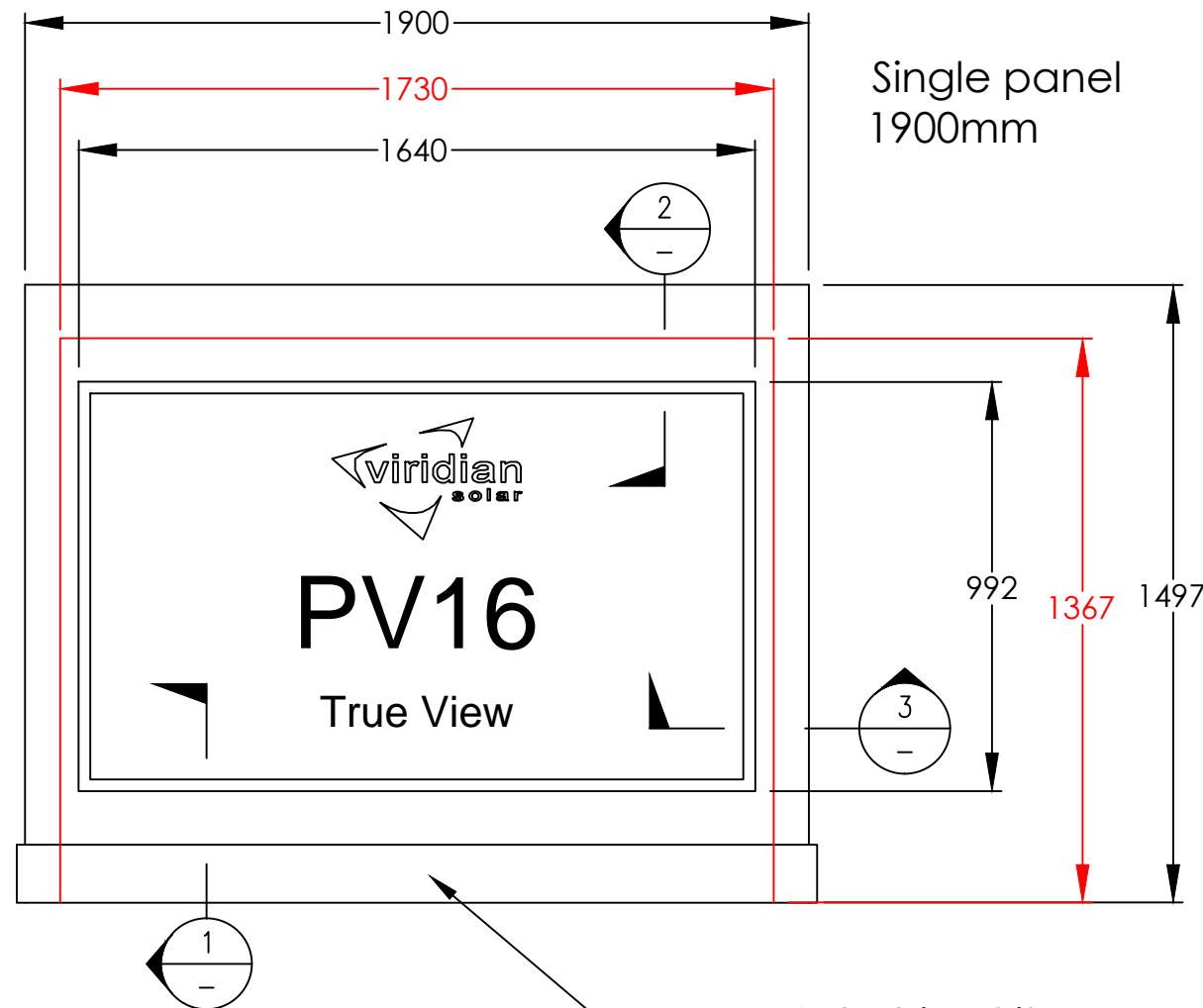
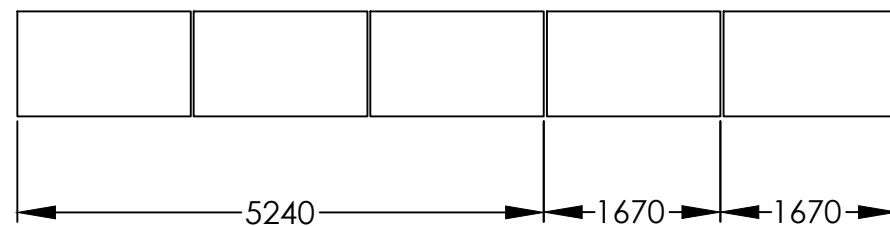
F16-LL F16-LR

Close-coupled pair of panels
3570mm

Beyond 3 panels wide, add 1670mm for each additional panel to get the overall measurement to the outer flashing edges

Example for 5 Panel Row:

$$5240 + 1670 + 1670 = 8580\text{mm including flashings}$$



Single panel
1900mm

VAL16 Flashing kit

Disclaimer:

This drawing and the information contained within it are the property of Viridian Concepts Ltd. and may not be reproduced without their express permission.

Issue:

0 14.02.17
Original Issue

DG

Notes:

Weight of solar panels: PV16 - 21kg
Where the panels are fitted into a pitched tiled/slate roof, they sit directly on the roof battens with a uniformly distributed load of 12.9kg per m². Roof structure modifications are unlikely to be necessary as this is typically less than the weight of the replaced roof covering.

Details of flashing fixing - see sheets 3 to 6.

Red dimensions show the approximate extent of the tiles/slates - Exact dimension will vary according to roof detail. Please see the Viridian Fusion installation manual.



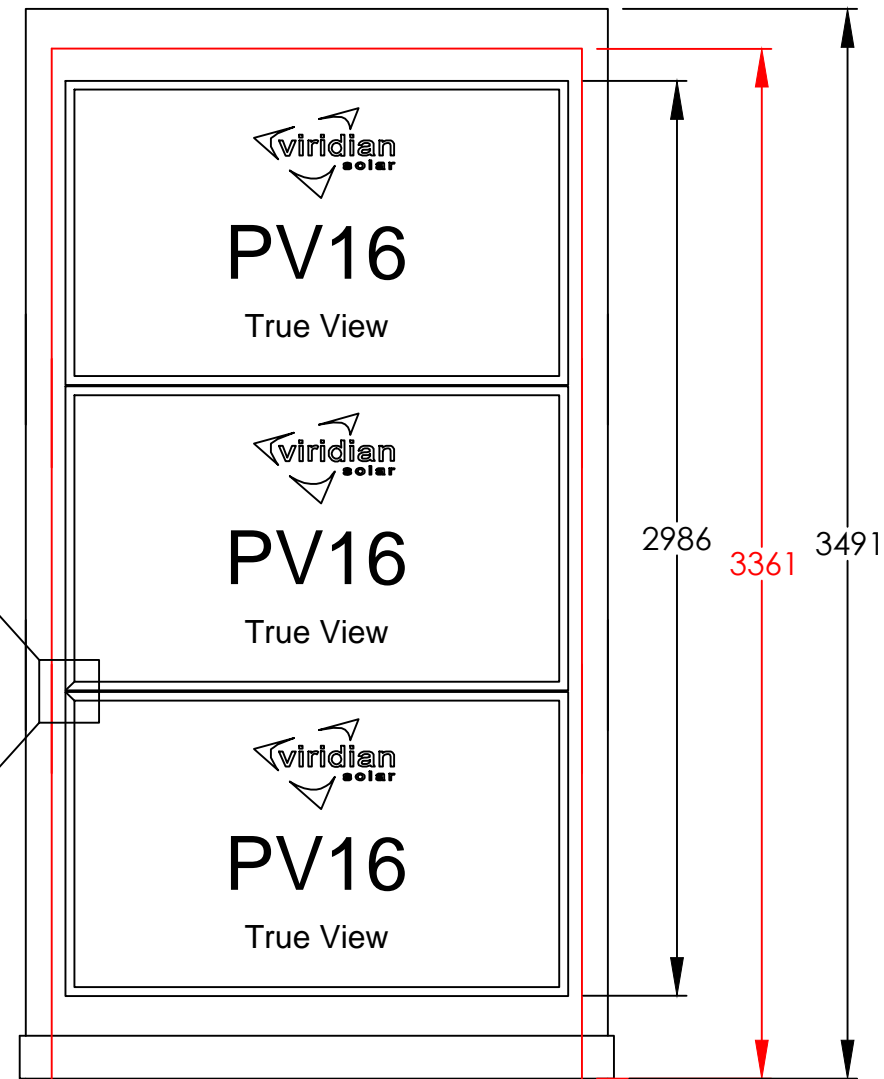
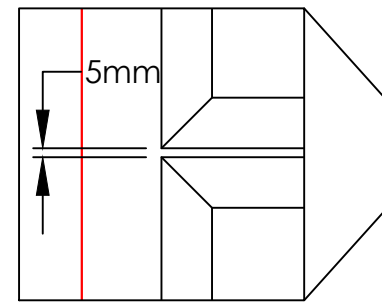
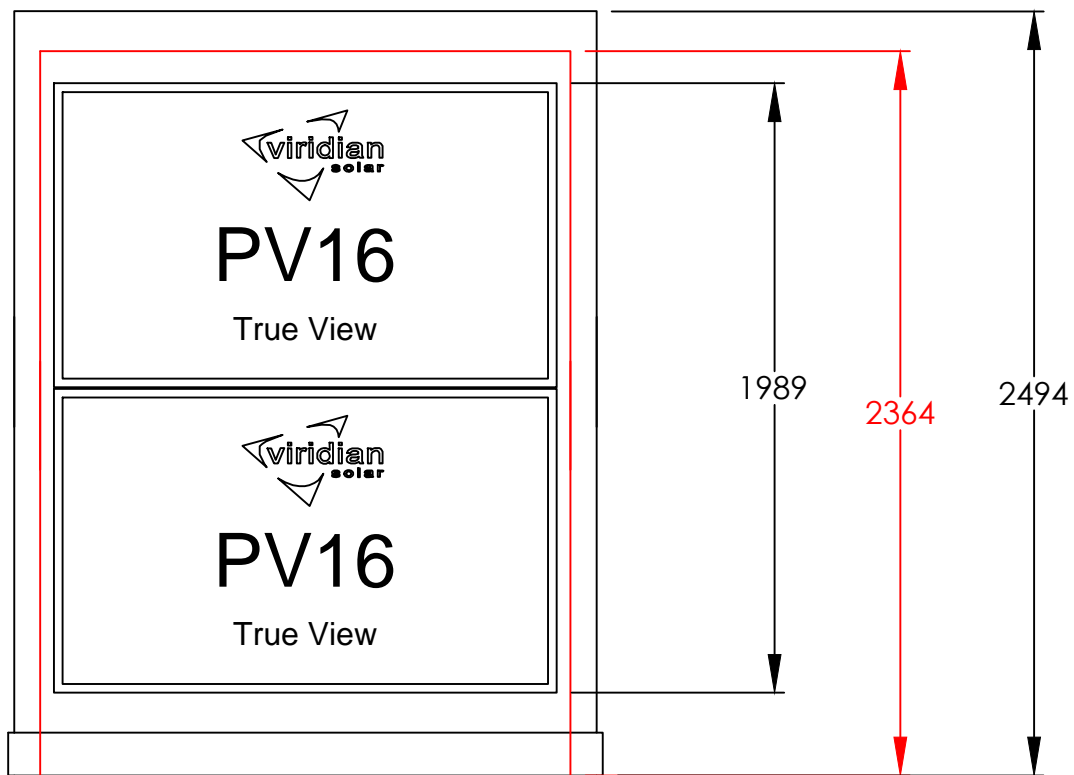
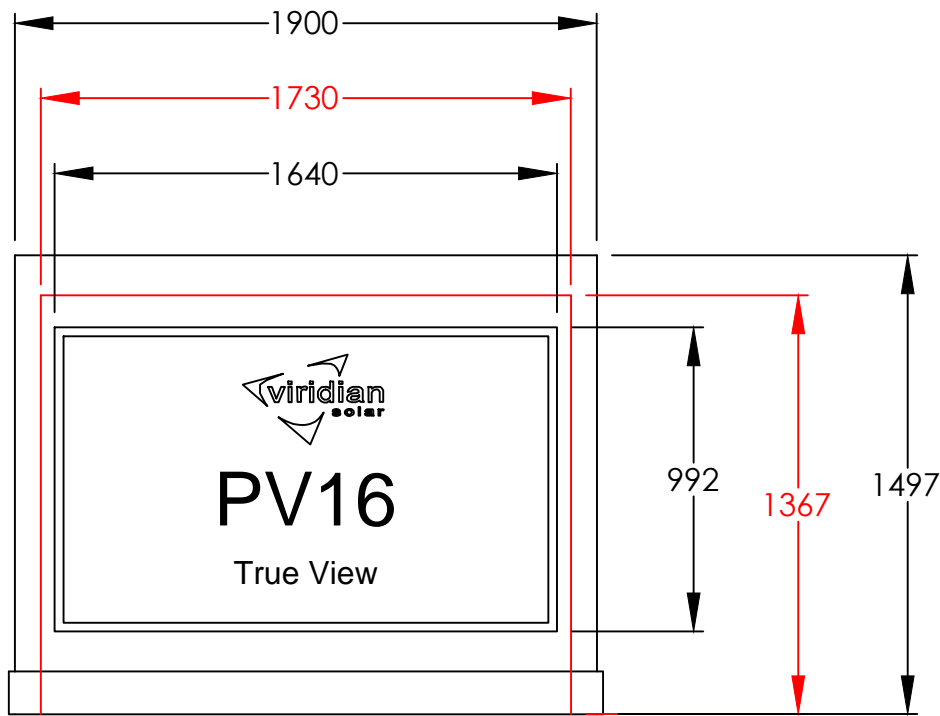
Viridian Solar
Atlas Building,
68 Stirling Way, Papworth,
Cams. CB23 3GY
T 01480 831501
F 01480 831831
www.viridiansolar.co.uk

TITLE
Clearline Fusion - PV16
Integrated Pitched Roof
Flashing Detail - Landscape

DRAWN DG CHECKED KTT

DRAWING NUMBER 10 001.4 Sheet Number 1 of 6

DATE 14.02.17 SCALE NTS



Beyond 3 panels high, add 997mm for each additional panel to get the overall measurement to the top and bottom flashing edges

Example for 5 Row system:

$$3491 + 997 + 997 = 5485\text{mm including flashings}$$

Disclaimer:

This drawing and the information contained within it are the property of Viridian Concepts Ltd. and may not be reproduced without their express permission.

Issue:

0 14.02.17
Original Issue

DG

Notes:

Weight of solar panels: PV16 - 21kg
Where the panels are fitted into a pitched tiled/slate roof, they sit directly on the roof battens with a uniformly distributed load of 12.9kg per m². Roof structure modifications are unlikely to be necessary as this is typically less than the weight of the replaced roof covering.

Details of flashing fixing - see sheets 3 to 6.

Red dimensions show the approximate extent of the tiles/slates - Exact dimension will vary according to roof detail. Please see the Viridian Fusion installation manual.



Viridian Solar
Atlas Building,
68 Stirling Way, Papworth,
Cams. CB23 3GY
T 01480 831501
F 01480 831831
www.viridiansolar.co.uk

TITLE
Clearline Fusion - PV16
Integrated Pitched Roof
Flashing Detail - Landscape

DRAWN DG	CHECKED KTT
DRAWING NUMBER 10 001.4	Sheet Number 2 of 6
DATE 14.02.17	SCALE NTS

Disclaimer:

This drawing and the information contained within it are the property of Viridian Concepts Ltd. and may not be reproduced without their express permission.

Issue:

0 14.02.17
Original Issue

DG

Notes:

Weight of solar panels: PV16 - 21kg
Where the panels are fitted into a pitched tiled/slate roof, they sit directly on the roof battens with a uniformly distributed load of 12.9kg per m². Roof structure modifications are unlikely to be necessary as this is typically less than the weight of the replaced roof covering.

Details of flashing fixing - see sheets 3 to 6.

Red dimensions show the approximate extent of the tiles/slates - Exact dimension will vary according to roof detail. Please see the Viridian Fusion installation manual.

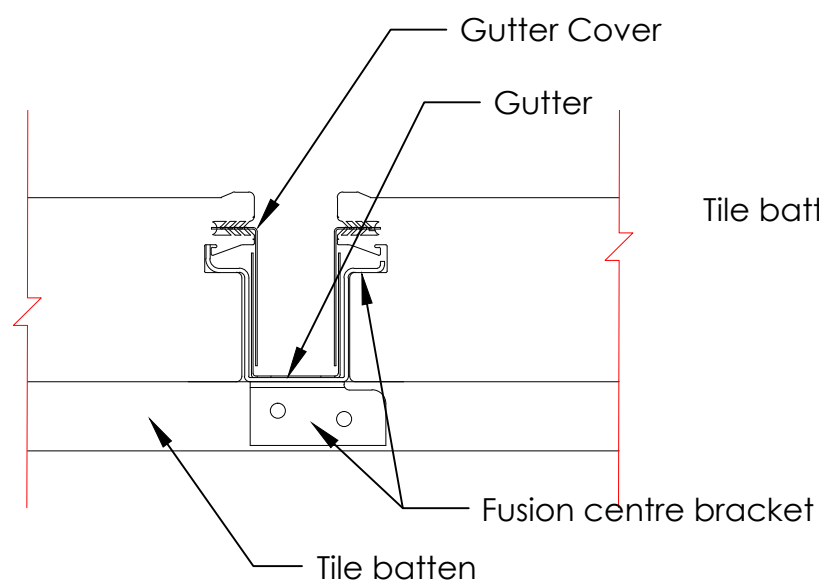
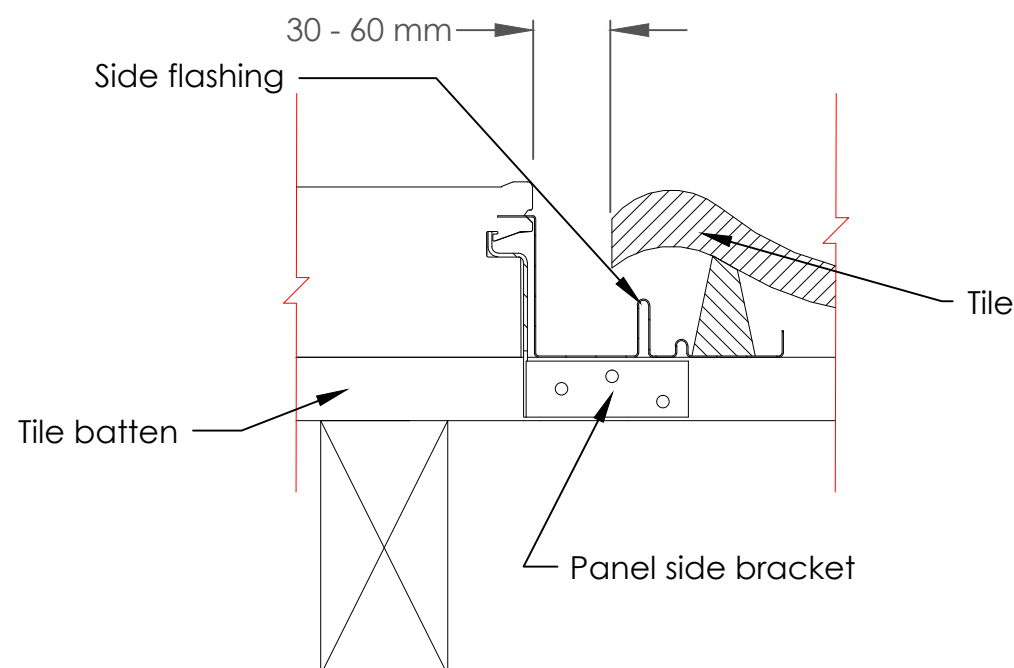
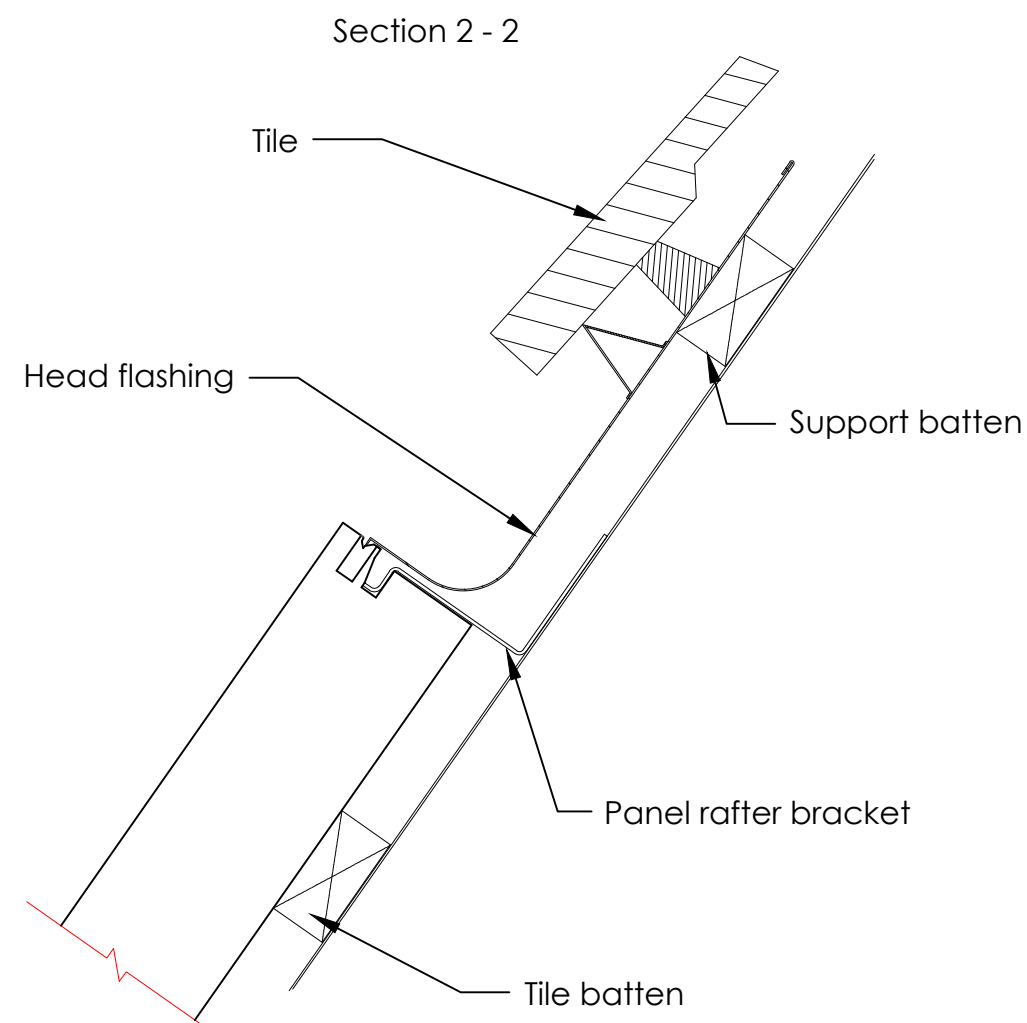
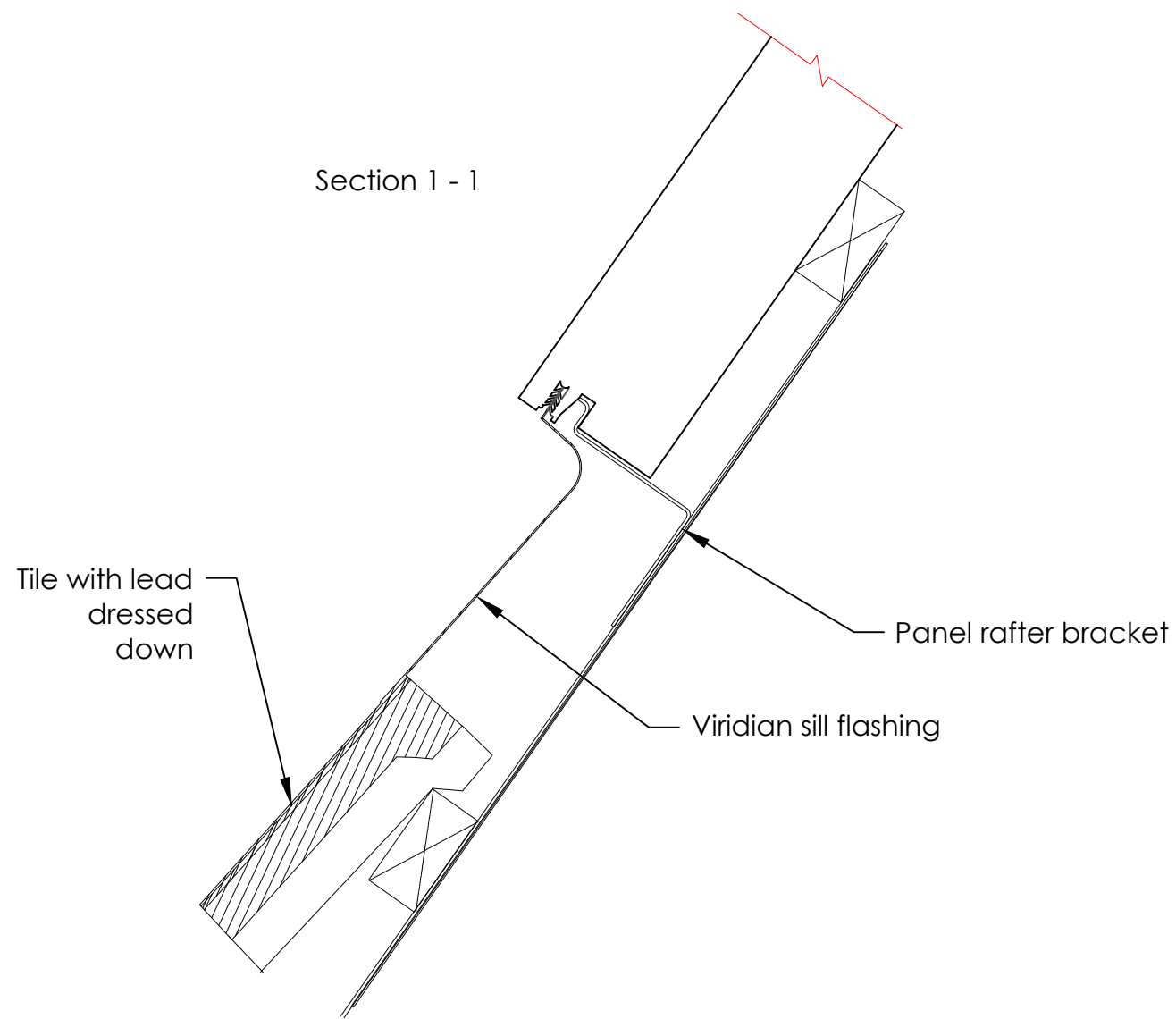
 Viridian Solar
Atlas Building,
68 Stirling Way, Papworth,
Cams. CB23 3GY
T 01480 831501
F 01480 831831
www.viridiansolar.co.uk

TITLE
Clearline Fusion - PV16
Integrated Pitched Roof
Fixing detail - Tile

DRAWN DG CHECKED KIT

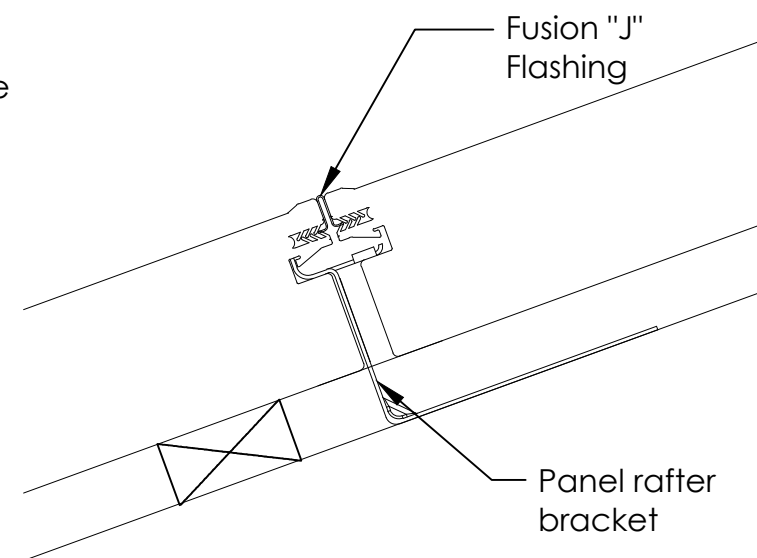
DRAWING NUMBER 10 001.4 Sheet Number 3 of 6

DATE 14.02.17 SCALE NTS

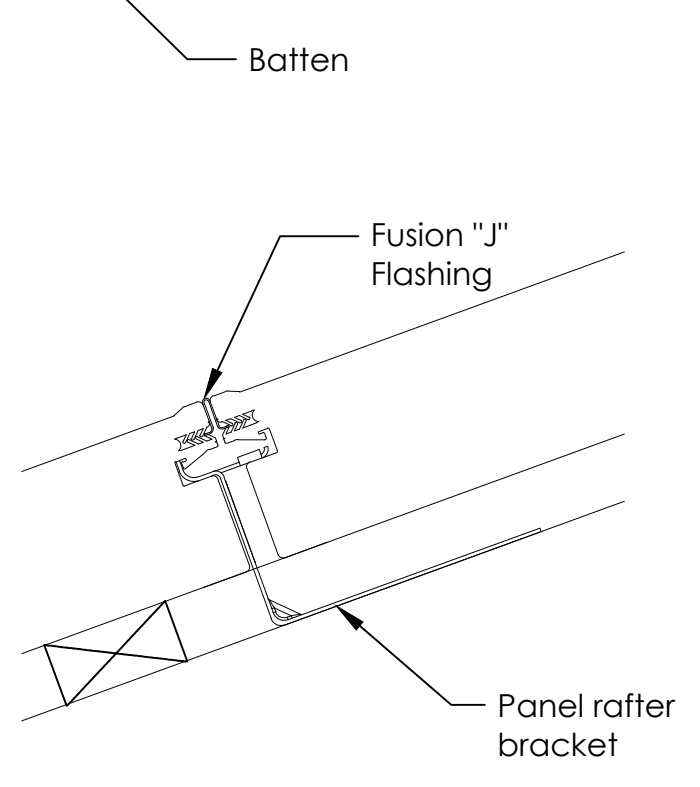
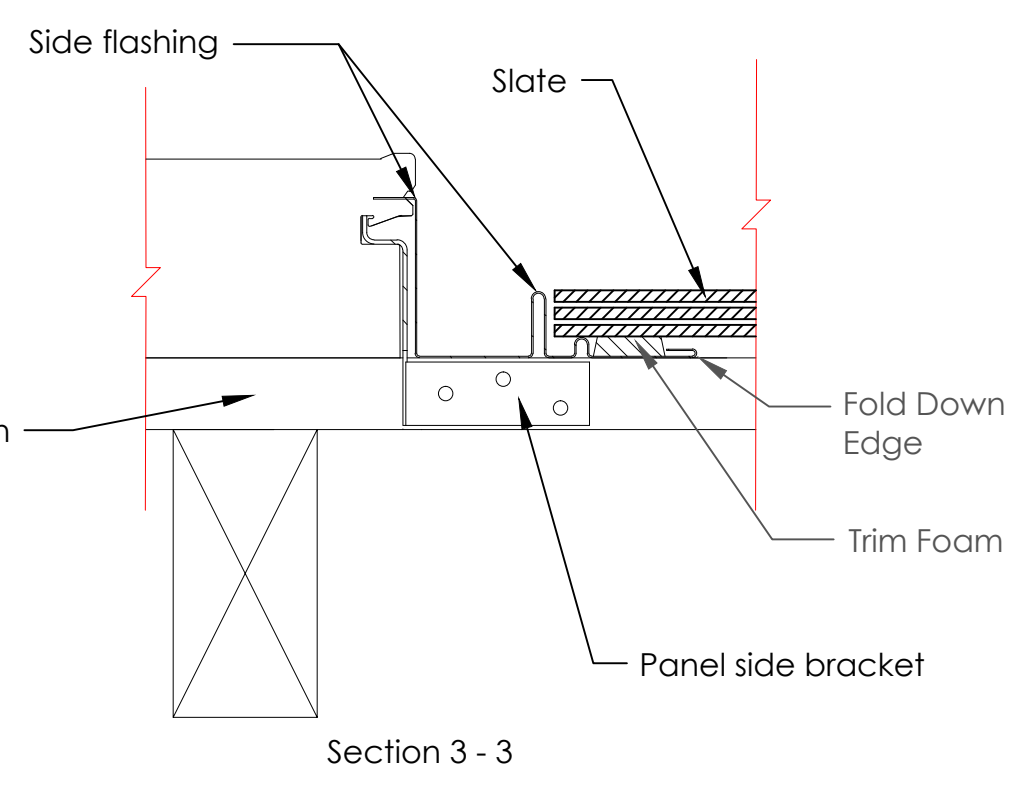
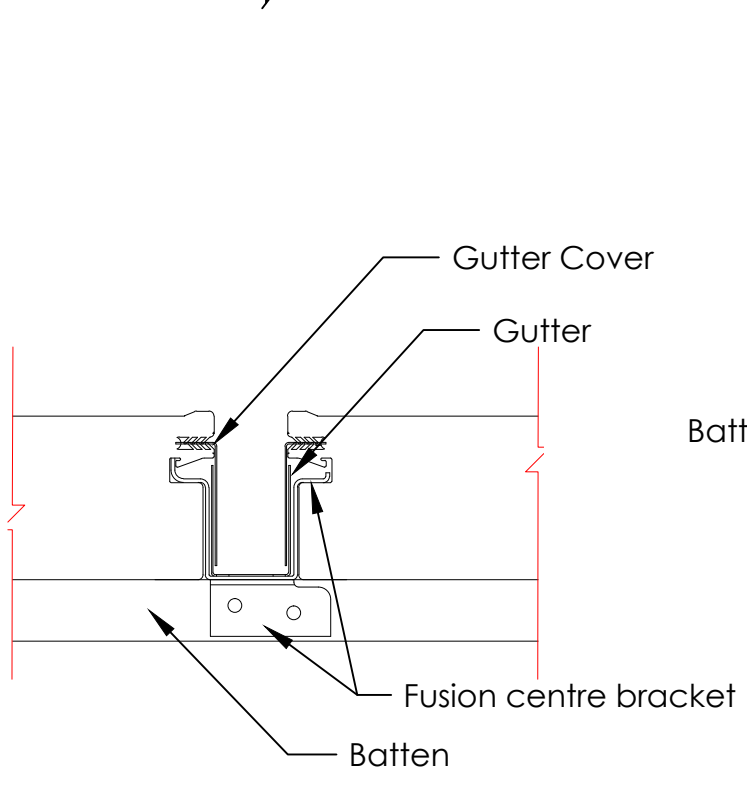
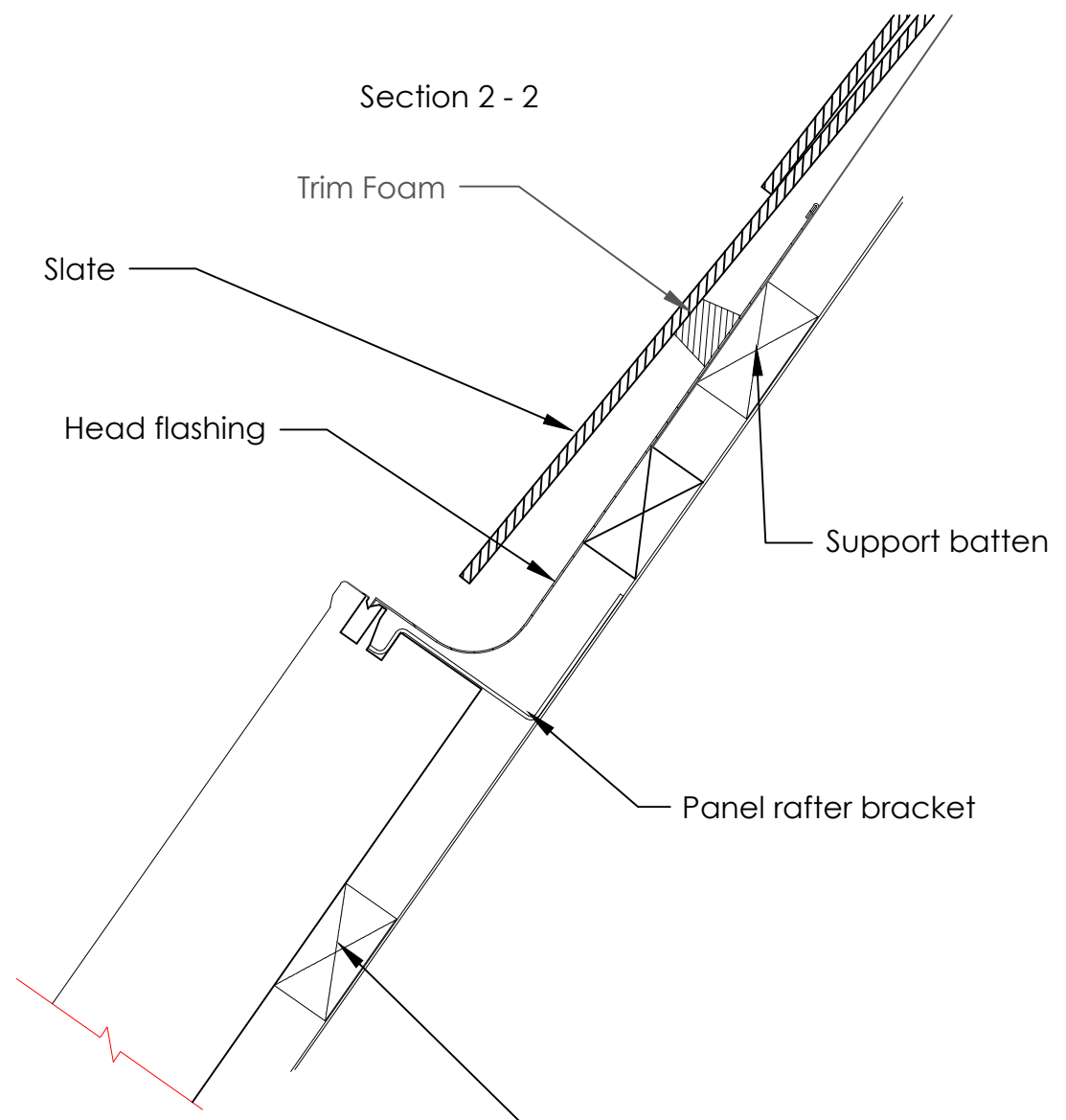
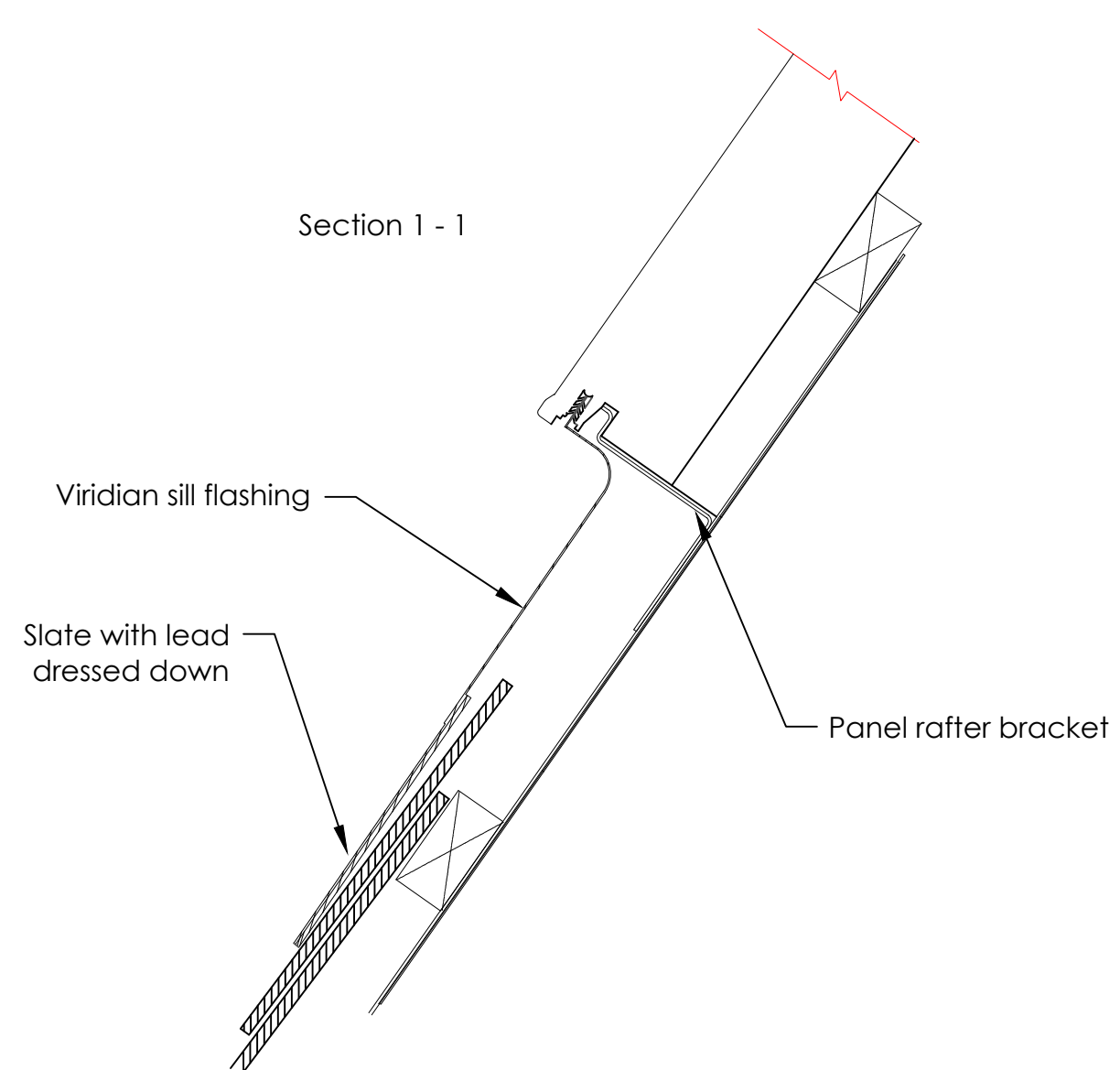


Close-Coupled Fusion Detail

Section 3 - 3



Above-Below Fusion Detail



Disclaimer:
This drawing and the information contained within it are the property of Viridian Concepts Ltd. and may not be reproduced without their express permission.

Issue:
0 14.02.17 Original Issue DG

Notes:
Weight of solar panels: PV16 - 21kg
Where the panels are fitted into a pitched tiled/slate roof, they sit directly on the roof battens with a uniformly distributed load of 12.9kg per m². Roof structure modifications are unlikely to be necessary as this is typically less than the weight of the replaced roof covering.

Details of flashing fixing - see sheets 3 to 6.

Red dimensions show the approximate extent of the files/slates - Exact dimension will vary according to roof detail. Please see the Viridian Fusion installation manual.



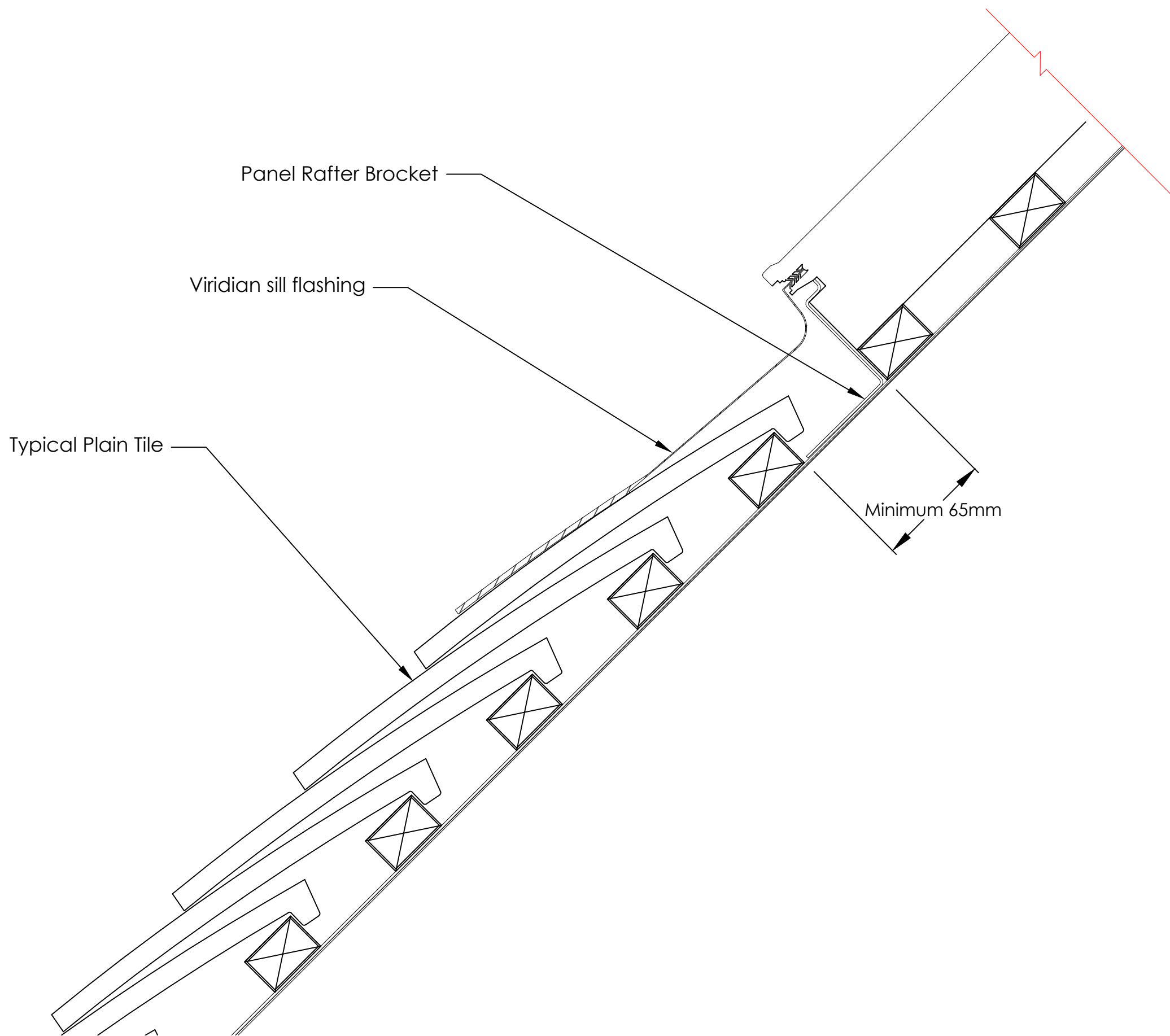
Viridian Solar
Atlas Building,
68 Stirling Way, Papworth,
Cams. CB23 3GY
T 01480 831501
F 01480 831831
www.viridiansolar.co.uk

TITLE
Clearline Fusion - PV16
Integrated Pitched Roof
Fixing Detail - Slate

DRAWN DG CHECKED KTT

DRAWING NUMBER 10 001.4 Sheet Number 4 of 6

DATE 14.02.17 SCALE NTS



Disclaimer:

This drawing and the information contained within it are the property of Viridian Concepts Ltd. and may not be reproduced without their express permission.

Issue:

0 14.02.17
Original Issue

DG

Notes:

Weight of solar panels: PV16 - 21kg
Where the panels are fitted into a pitched tiled/slate roof, they sit directly on the roof battens with a uniformly distributed load of 12.9kg per m². Roof structure modifications are unlikely to be necessary as this is typically less than the weight of the replaced roof covering.

Details of flashing fixing - see sheets 3 to 6.

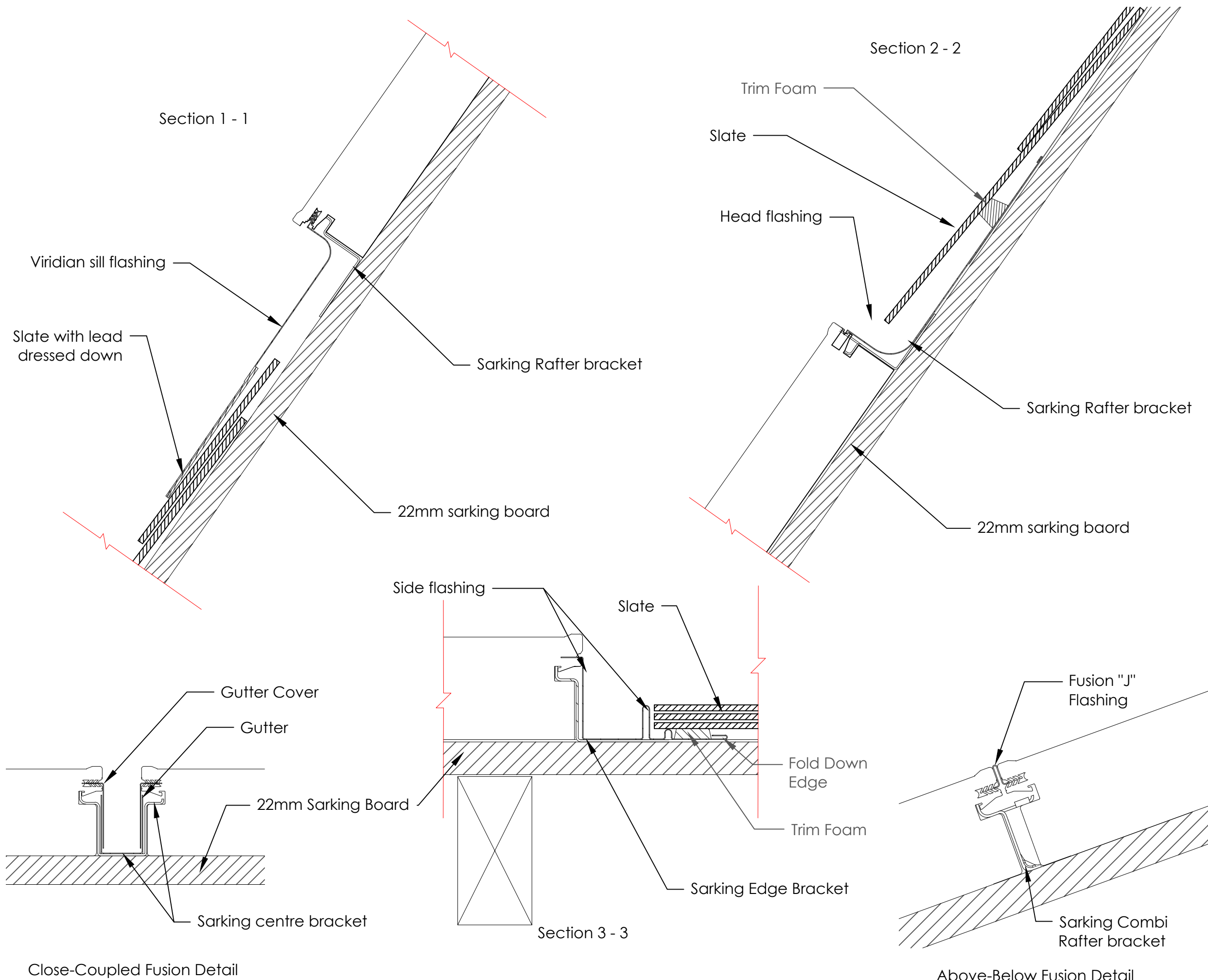
Red dimensions show the approximate extent of the tiles/slates - Exact dimension will vary according to roof detail. Please see the Viridian Fusion installation manual.



Viridian Solar
Atlas Building,
68 Stirling Way, Papworth,
Cams. CB23 3GY
T 01480 831501
F 01480 831831
www.viridiansolar.co.uk

TITLE
Clearline Fusion - PV16
Integrated Pitched Roof
Fixing Detail - Plain Tile

DRAWN	DG	CHECKED	KTT
DRAWING NUMBER	10 001.4	Sheet Number	5 of 6
DATE	14.02.17	SCALE	NTS



Disclaimer:
 This drawing and the information contained within it are the property of Viridian Concepts Ltd. and may not be reproduced without their express permission.

Issue:
 0 14.02.17 Original Issue DG

Notes:
 Weight of solar panels: PV16 - 21kg
 Where the panels are fitted into a pitched tiled/slate roof, they sit directly on the roof battens with a uniformly distributed load of 12.9kg per m². Roof structure modifications are unlikely to be necessary as this is typically less than the weight of the replaced roof covering.

Details of flashing fixing - see sheets 3 to 6.

Red dimensions show the approximate extent of the files/slates - Exact dimension will vary according to roof detail. Please see the Viridian Fusion installation manual.



Viridian Solar
 Atlas Building,
 68 Stirling Way, Papworth,
 Cambs. CB23 3GY
 T 01480 831501
 F 01480 831831
 www.viridiansolar.co.uk

TITLE
**Clearline Fusion - PV16
 Integrated Pitched Roof
 Fixing Detail - Slate Sarking**

DRAWN DG	CHECKED KIT
-------------	----------------

DRAWING NUMBER 10 001.4	Sheet Number 6 of 6
----------------------------	------------------------

DATE 14.02.17	SCALE NTS
------------------	--------------