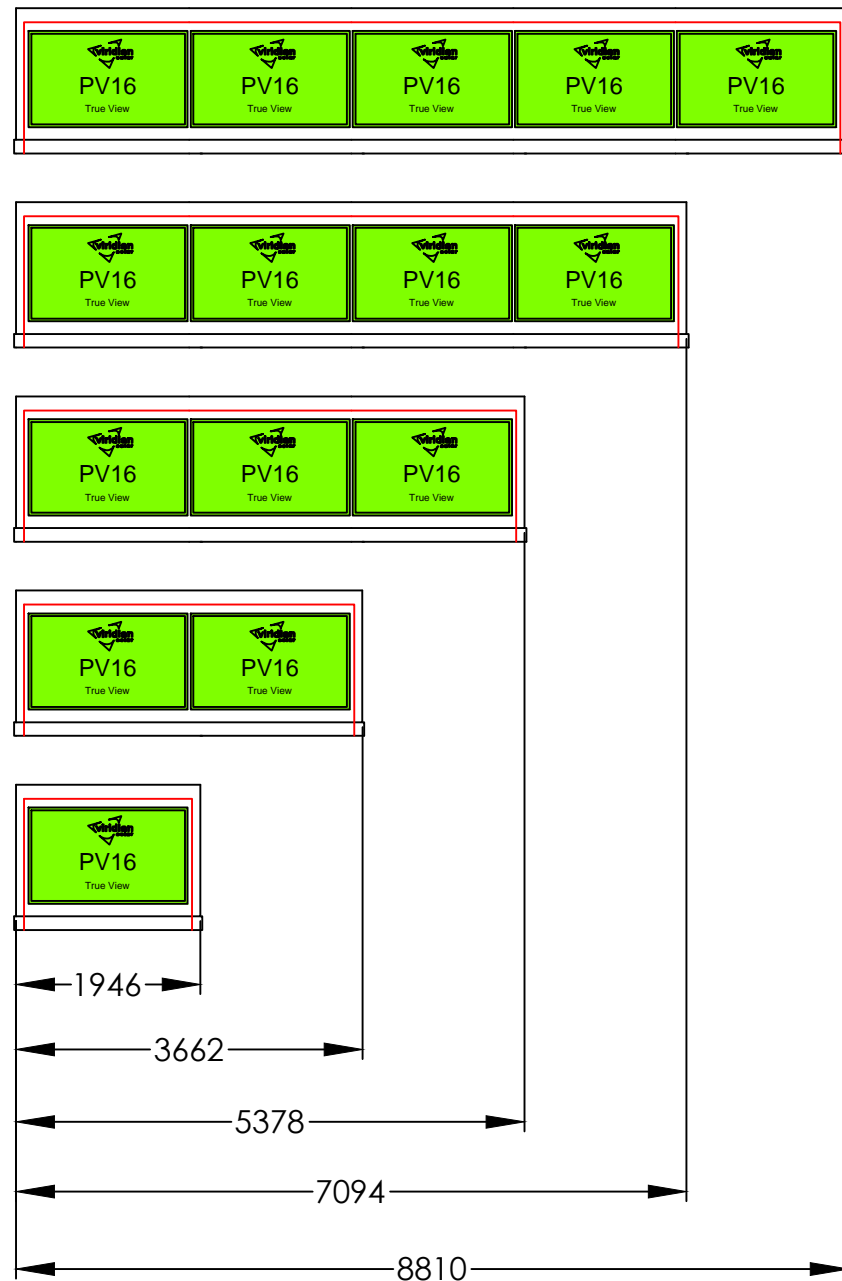


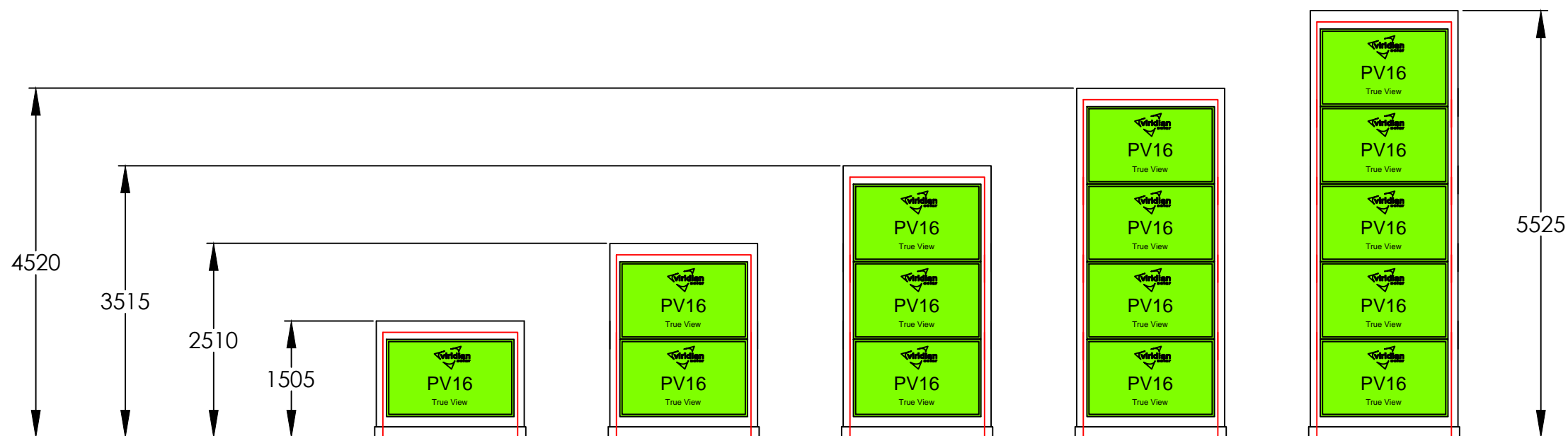


Add 1716mm width for each additional panel



# PV16-G1 Fusion Landscape

Add 1005mm height for each additional row



Weight of solar panels:  
PV16-G1 21.7kg

Where the panels are integrated into a pitched roof, fixed directly to the roof battens, the uniformly distributed load is around 13kg / m<sup>2</sup> for PV16 . Therefore, they probably weigh less than the roof covering they are replacing. Roof structure modifications are unlikely to be necessary.

Revisions:

Notes:

Viridian Solar  
Atlas Building,  
68 Stirling Way, Papworth,  
Cams. CB23 3GY  
T 01480 831501  
F 01480 831831  
www.viridiansolar.co.uk

TITLE  
Clearline Fusion PV16-G1  
Landscape - Integrated  
Pitched Roof Array Dimensions

DRAWN DG	CHECKED NP
DRAWING NUMBER 10.011f	
DATE 10.03.21	SCALE NTS