

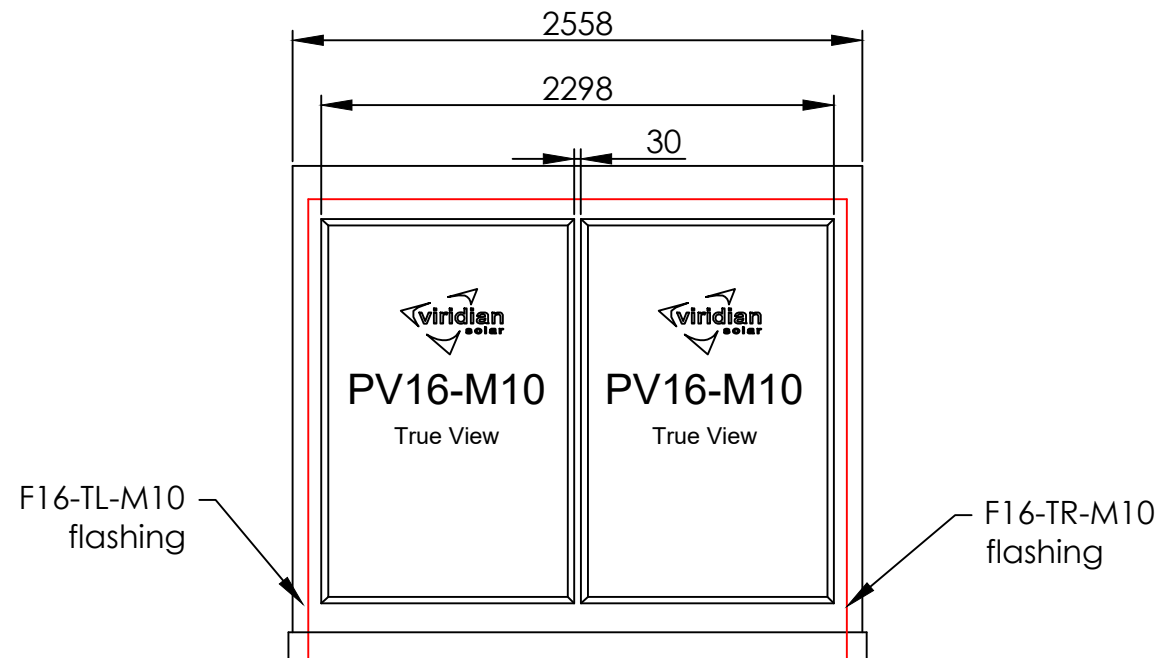
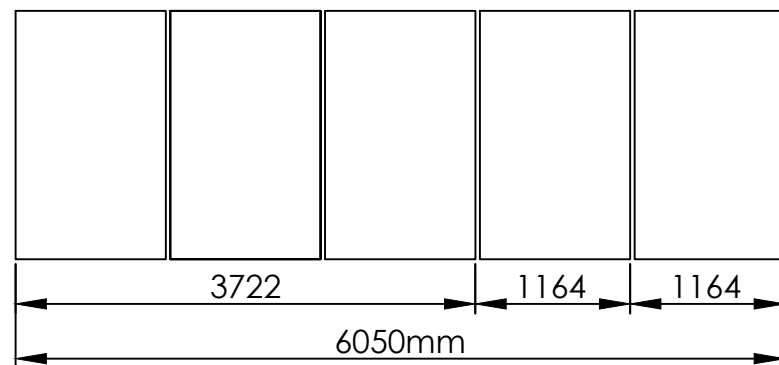
F16-TL-M10 F16-TC-M10 F16-TR-M10

Close-coupled trio of panels
3722mm

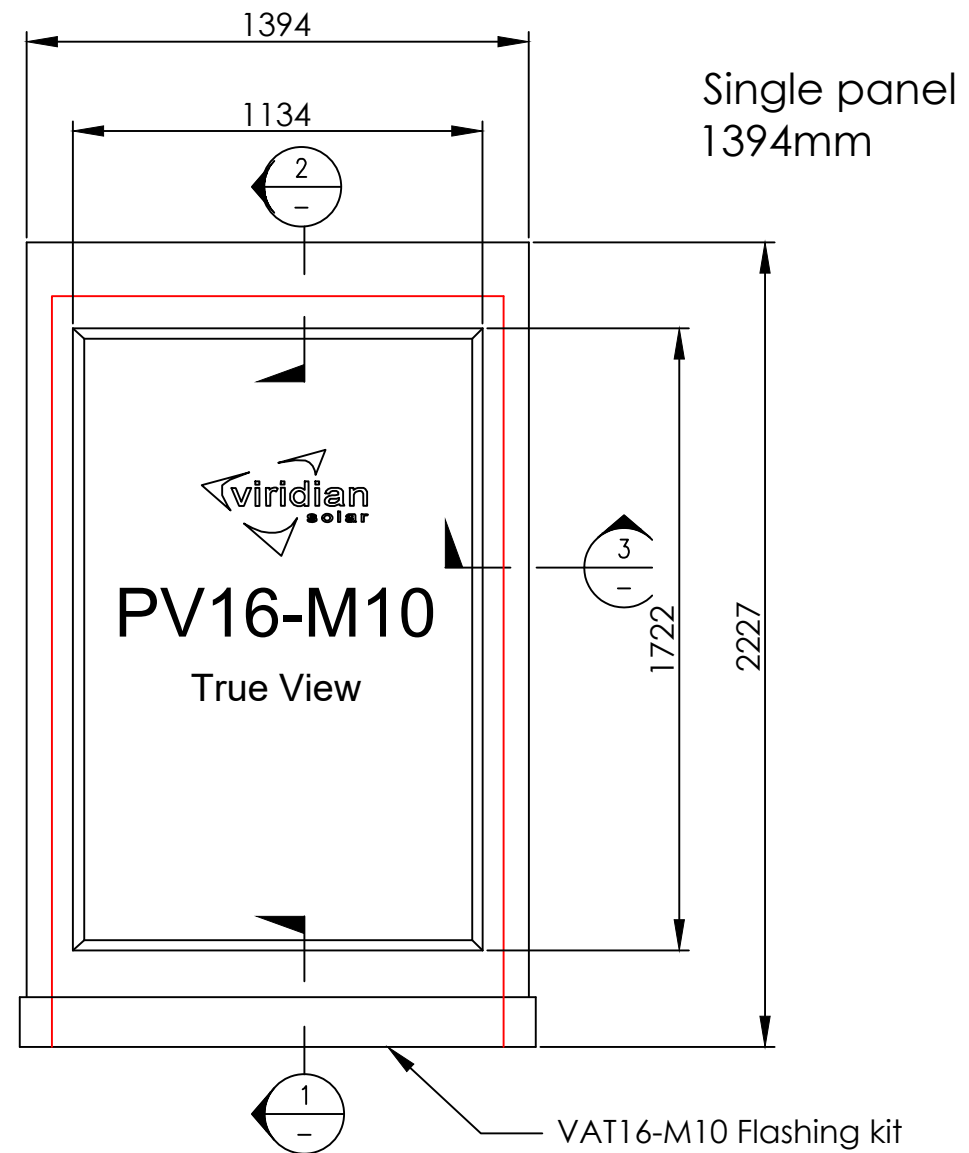
Beyond 3 panels wide, add 1164mm for each additional panel to get the overall measurement to the outer flashing edges

Example for 5 Panel Row:

$$3722 + 1164 + 1164 = 6050\text{mm}$$



Close-coupled pair of panels
2558mm



Disclaimer:

This drawing and the information contained within it are the property of Viridian Concepts Ltd. and may not be used or reproduced without their express permission.

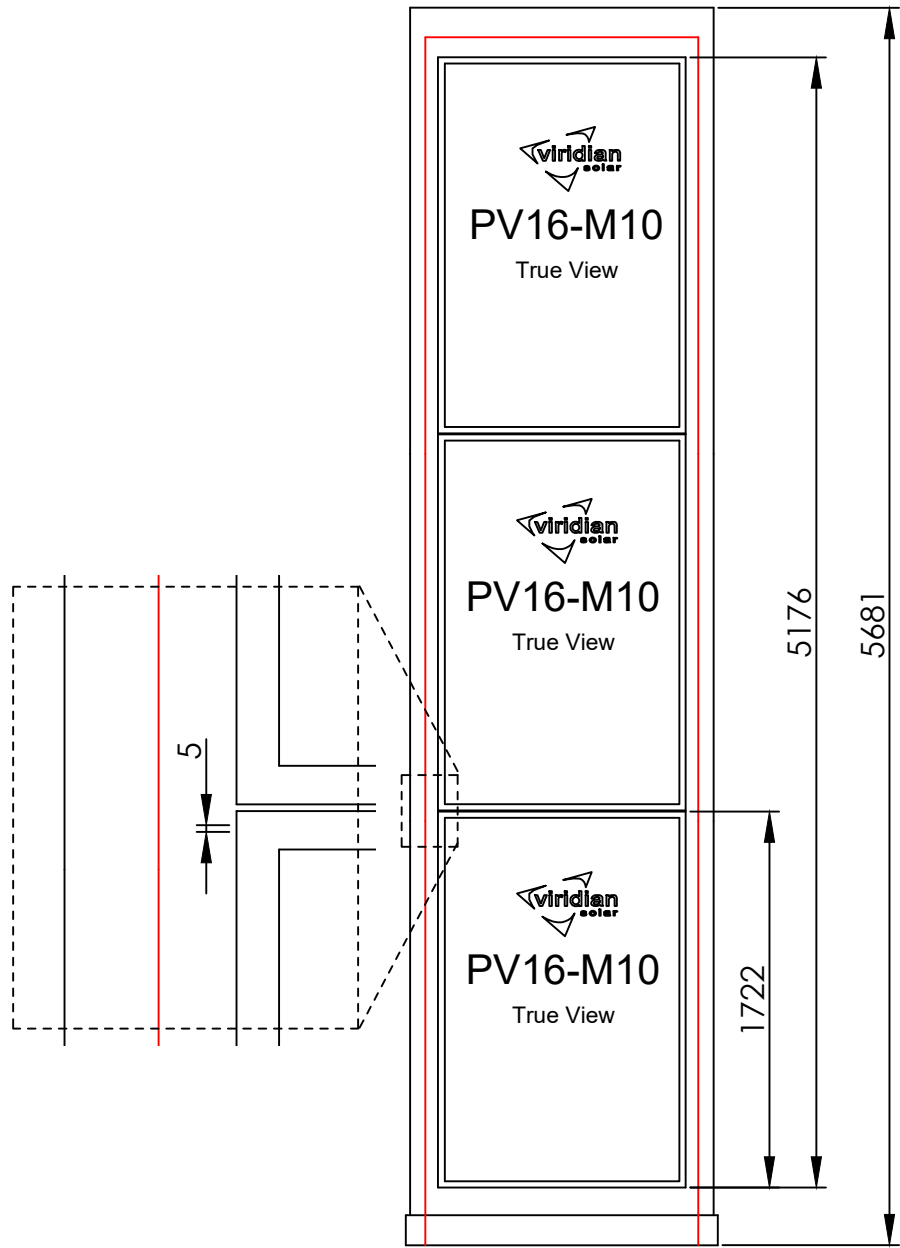
Notes:

Weight of solar panels: PV16-M10 = 25kg
Where the panels are fitted into a pitched tiled roof, they are fixed directly above the roof battens with a uniformly distributed load of 12.8kg per m². Roof structure modifications are unlikely to be necessary, as this is less than the weight of the replaced roof covering. Details of flashing - fixing see sheets 3 to 6. Red line show approximate extent of tiles.

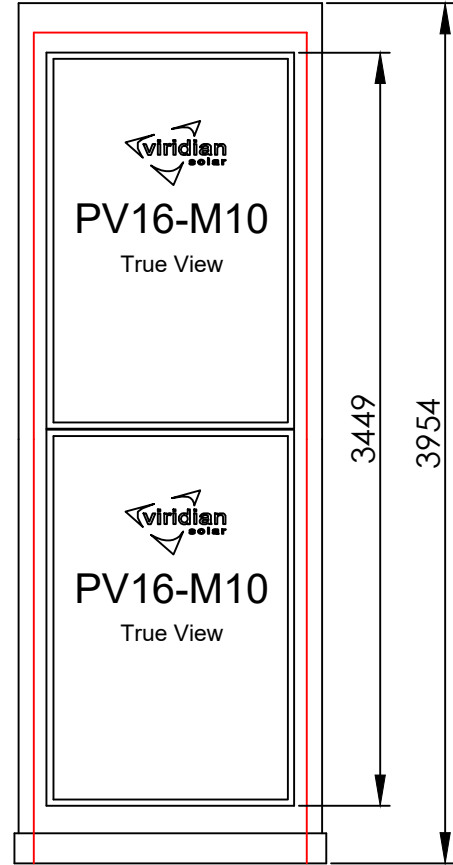
Viridian Solar
Atlas Building,
68 Stirling Way, Papworth,
Cams. CB23 3GY
T 01480 831501
F 01480 831831
www.viridiansolar.co.uk

TITLE
Clearline Fusion - PV16-M10
Portrait Integrated Pitched Roof
Flashing Detail

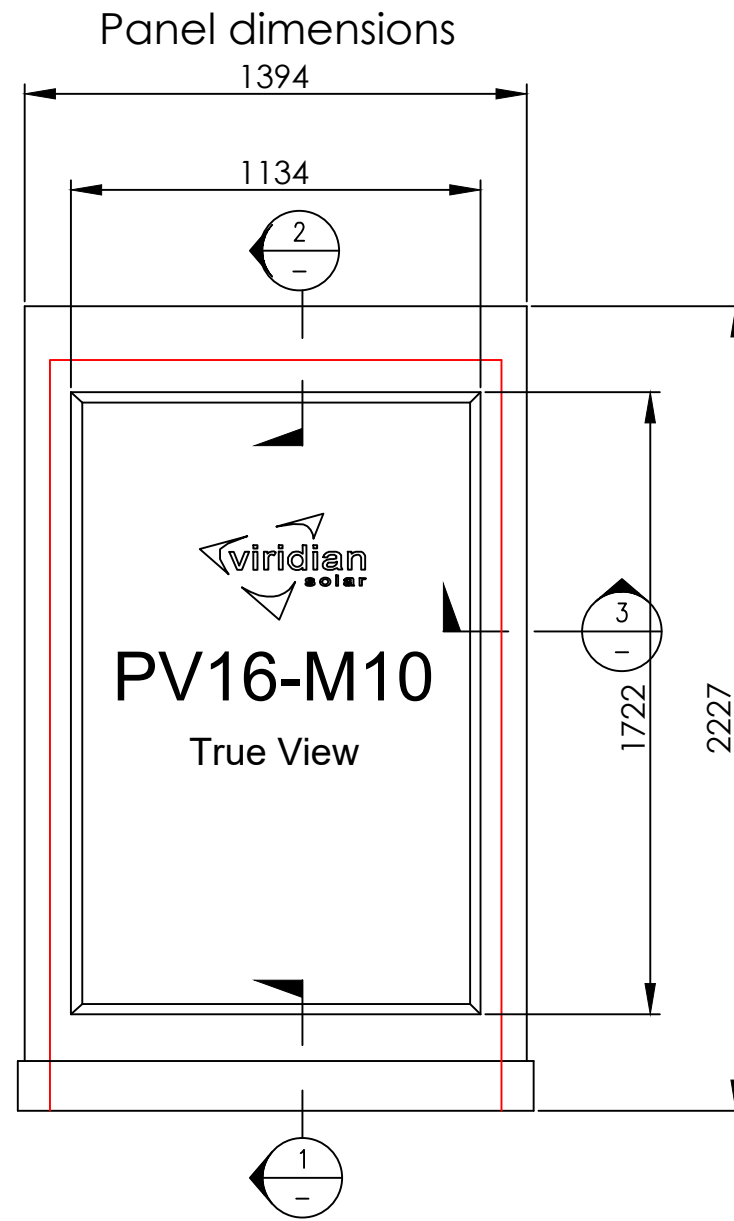
DRAWN DG	CHECKED KTT
DRAWING NUMBER 10 016	SHEET 1 of 6
DATE 06.04.22	SCALE NTS



Height for 3 Rows of Fusion - 5681mm



Height for 2 Rows of Fusion - 3954mm



Height for Single Row of Fusion - 2227mm

Total Height for 3 rows = 5681mm
Add 1727mm for each additional row

Example: For 5 Rows

$$5681 + 1727 + 1727 = 9135\text{mm.}$$

Disclaimer:
This drawing and the information contained within it are the property of Viridian Concepts Ltd. and may not be used or reproduced without their express permission.

0

Notes:
Weight of solar panels: PV16-M10 = 25kg
Where the panels are fitted into a pitched tiled roof, they are fixed directly above the roof battens with a uniformly distributed load of 12.8kg per m². Roof structure modifications are unlikely to be necessary, as this is less than the weight of the replaced roof covering. Details of flashing - fixing see sheets 3 to 6. Red line shows approximate extent of tiles.

viridian solar
Viridian Solar
Atlas Building,
68 Stirling Way, Papworth,
Cams. CB23 3GY
T 01480 831501
F 01480 831831
www.viridiansolar.co.uk

TITLE
Clearline Fusion - PV16-M10
Portrait Integrated Pitched Roof
Flashing Detail

DRAWN DG	CHECKED KTT
-------------	----------------

DRAWING NUMBER 10 016	SHEET 2 of 6
--------------------------	-----------------

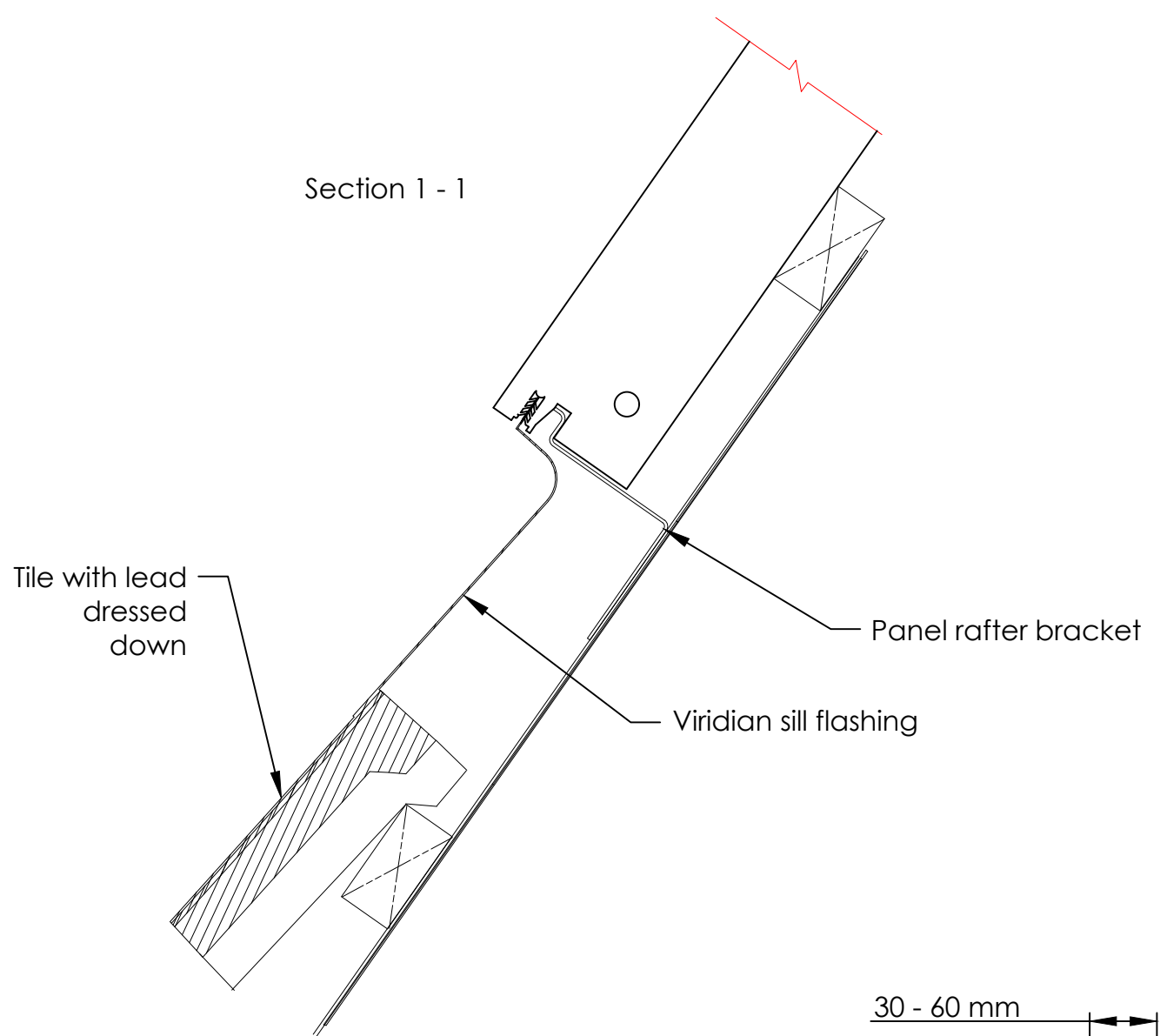
DATE 06.04.22	SCALE NTS
------------------	--------------

Disclaimer:
 This drawing and the information contained within it are the property of Viridian Concepts Ltd. and may not be used or reproduced without their express permission.

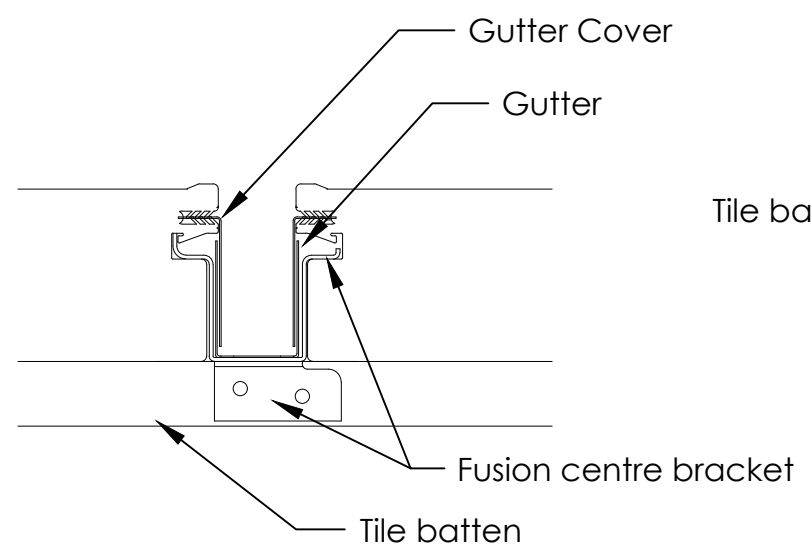
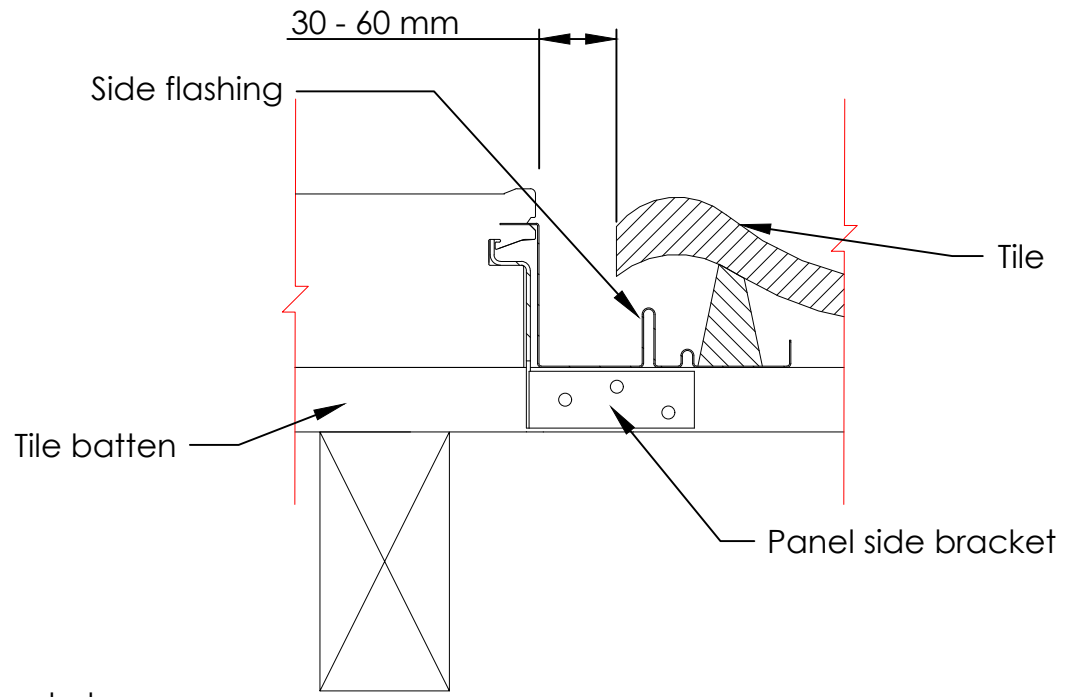
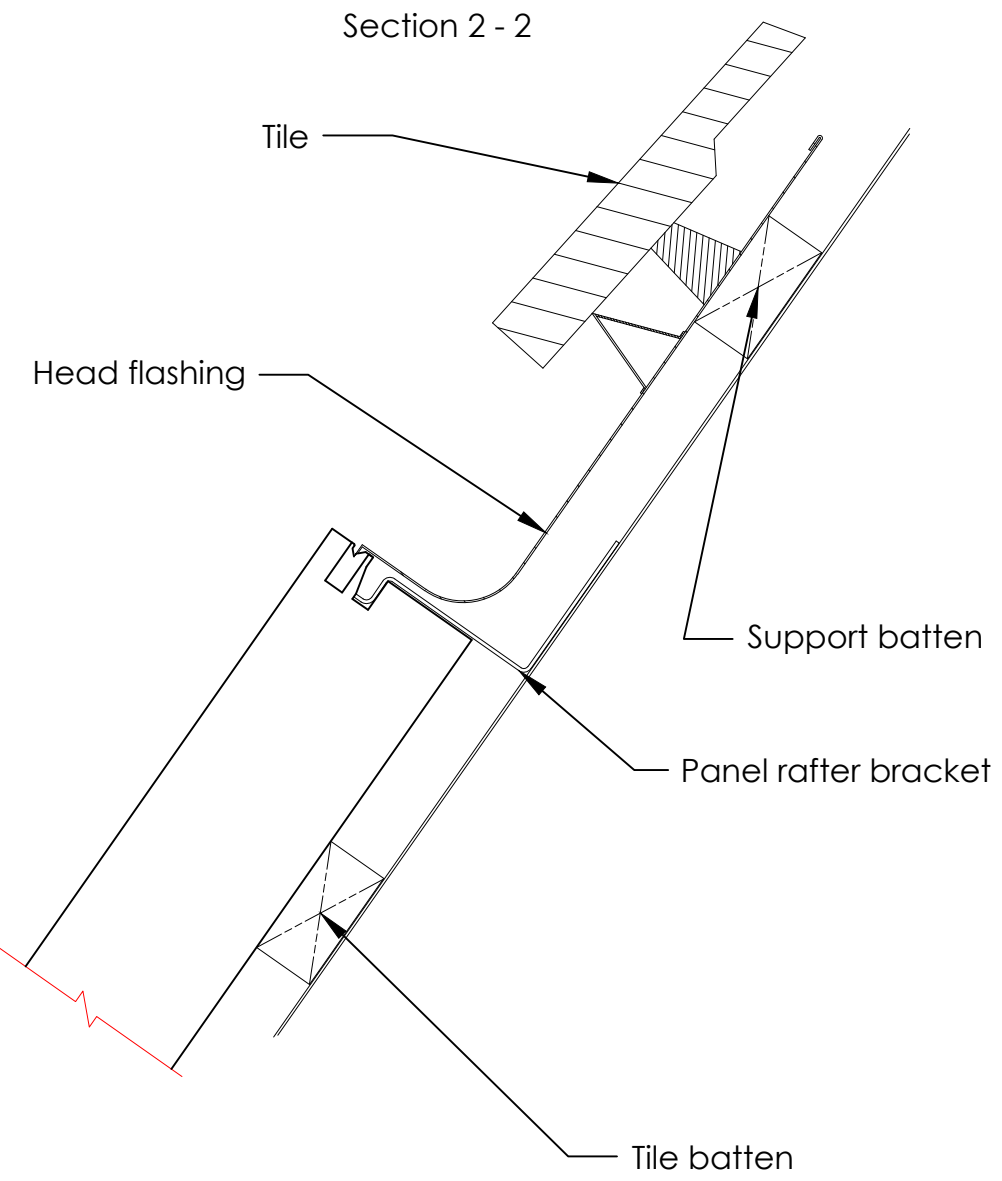
0

Notes:

Section 1 - 1

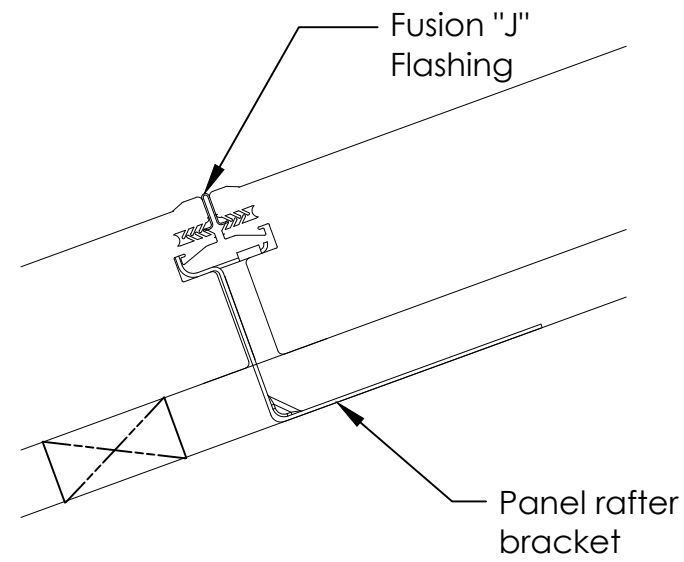


Section 2 - 2



Close-Coupled Fusion Detail

Section 3 - 3



Above-Below Fusion Detail



Viridian Solar
 Atlas Building,
 68 Stirling Way, Papworth,
 Cambs. CB23 3GY
 T 01480 831501
 F 01480 831831
 www.viridiansolar.co.uk

TITLE
 Clearline Fusion PV16-M10
 Portrait Integrated Pitched Roof
 Fixing Details - Interlocking tiles

DRAWN DG	CHECKED KTT
-------------	----------------

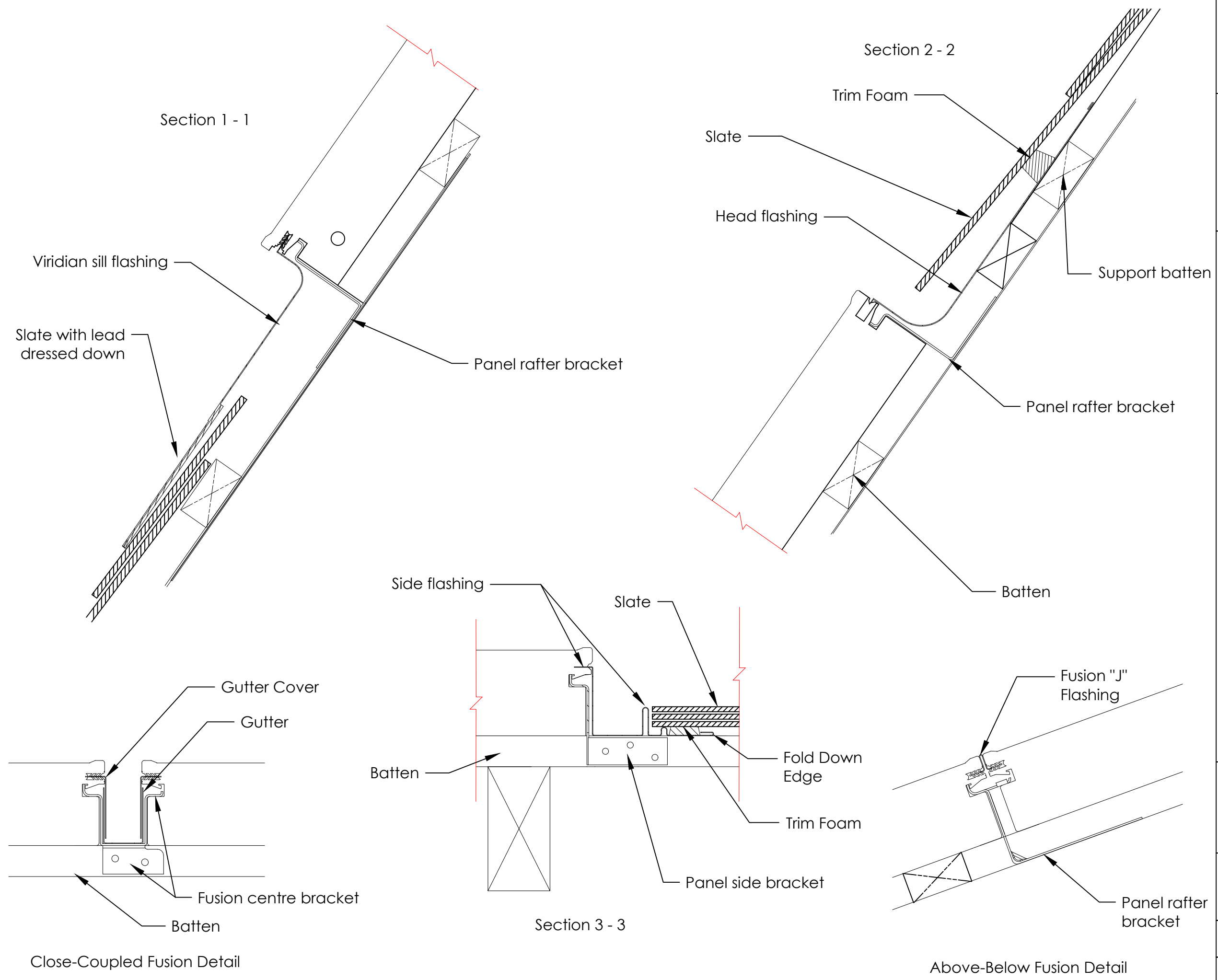
DRAWING NUMBER 10 016	SHEET 3 of 6
--------------------------	-----------------

DATE 06.04.22	SCALE
------------------	-------

Disclaimer:
 This drawing and the information contained within it are the property of Viridian Concepts Ltd. and may not be used or reproduced without their express permission.

0

Notes:



viridian solar
 Viridian Solar
 Atlas Building,
 68 Stirling Way, Papworth,
 Cambs. CB23 3GY
 T 01480 831501
 F 01480 831831
 www.viridiansolar.co.uk

TITLE
**Clearline Fusion PV16-M10
 Portrait - Integrated Pitched
 Roof Fixing Details - Slates**

DRAWN DG	CHECKED KTT
-------------	----------------

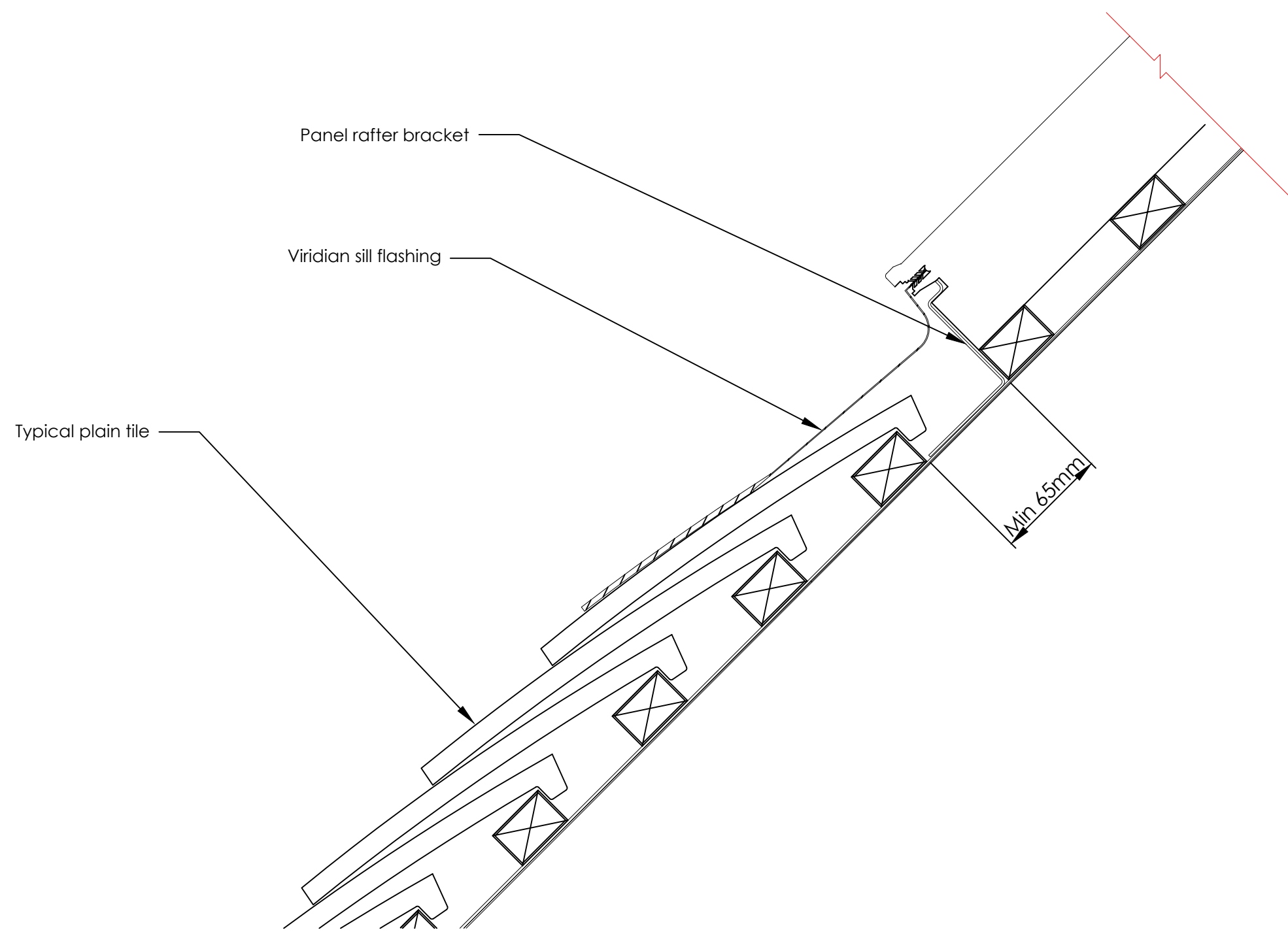
DRAWING NUMBER 10 016	SHEET 4 of 6
--------------------------	-----------------

DATE 06.04.22	SCALE NTS
------------------	--------------

Disclaimer:
 This drawing and the information contained within it are the property of Viridian Concepts Ltd. and may not be used or reproduced without their express permission.

0

Notes:
 Final setting out should be completed by the roofer to ensure that the sill flashing is fully supported to give a neat and watertight finish.



viridian solar
 Viridian Solar
 Atlas Building,
 68 Stirling Way, Papworth,
 Cambs. CB23 3GY
 T 01480 831501
 F 01480 831831
 www.viridiansolar.co.uk

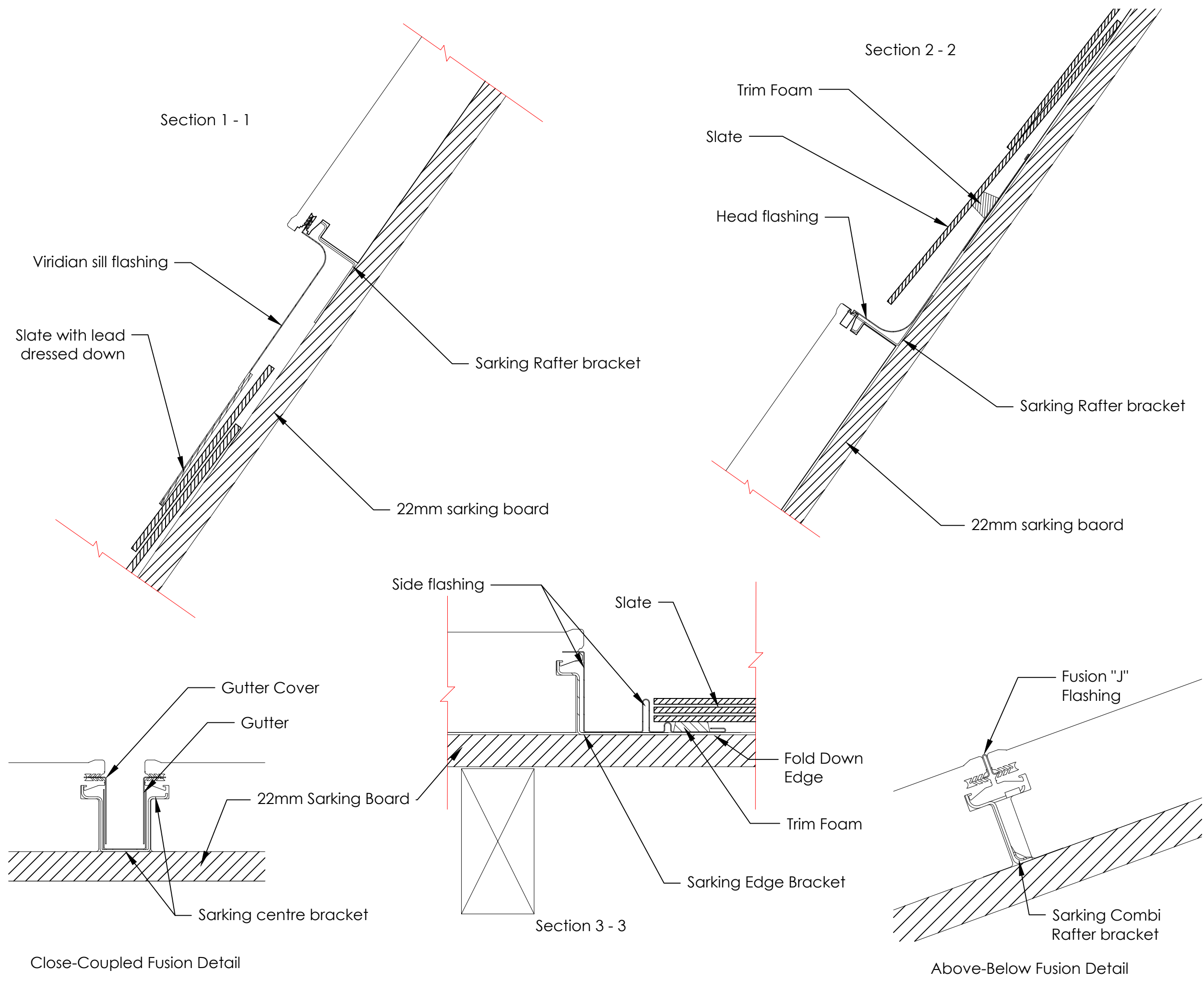
TITLE
 Clearline Fusion PV16-M10
 Portrait - Integrated Pitched
 Roof Fixing Details - Plain Tile

DRAWN DG	CHECKED KTT
DRAWING NUMBER 10 016	SHEET 5 of 6
DATE 06.04.22	SCALE NTS

Disclaimer:
 This drawing and the information contained within it are the property of Viridian Concepts Ltd. and may not be used or reproduced without their express permission.

0

Notes:



viridian solar
 Viridian Solar
 Atlas Building,
 68 Stirling Way, Papworth,
 Cambs. CB23 3GY
 T 01480 831501
 F 01480 831831
 www.viridiansolar.co.uk

TITLE
**Clearline Fusion PV16-M10 Portrait
 - Integrated Pitched Roof
 Fixing Details - Slate Sarking**

DRAWN DG	CHECKED KTT
DRAWING NUMBER 10 016	SHEET 6 of 6
DATE 06.04.22	SCALE NTS