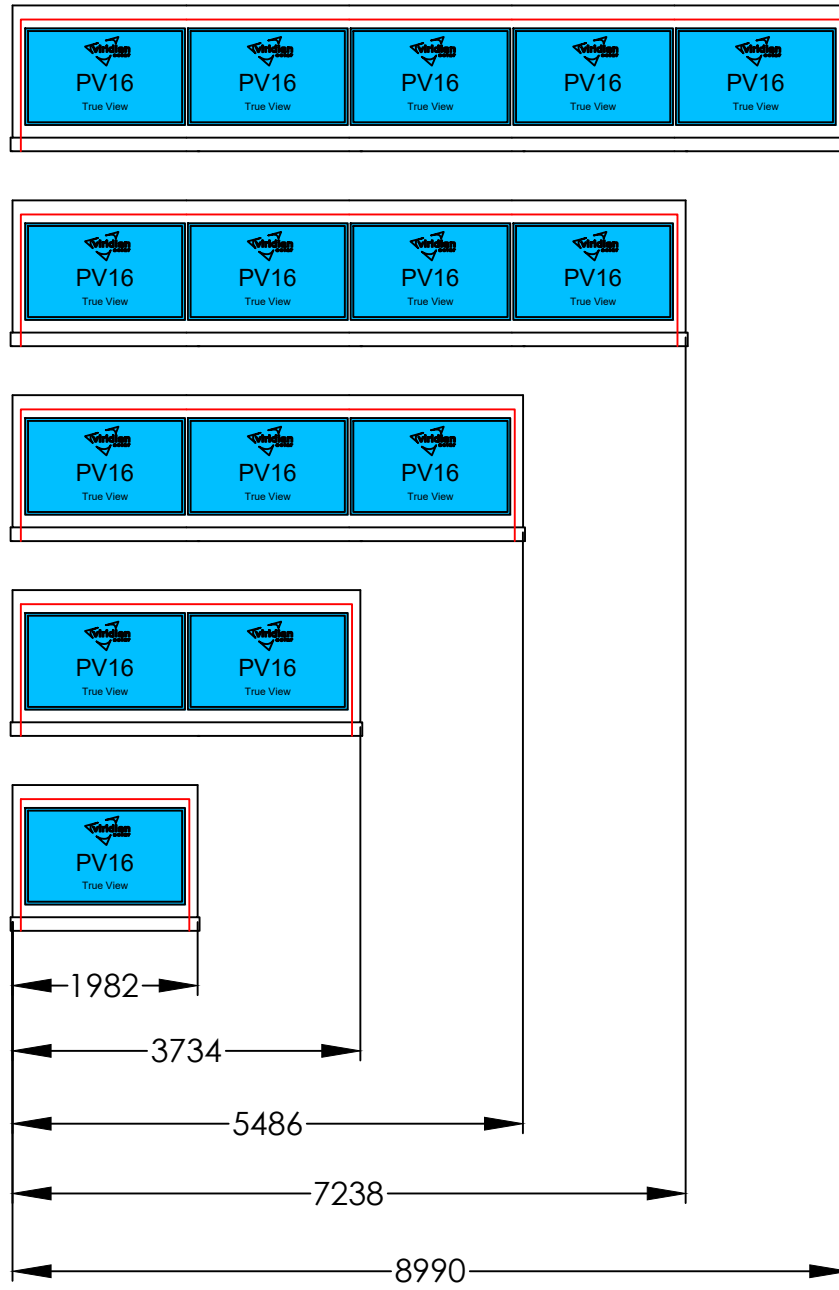


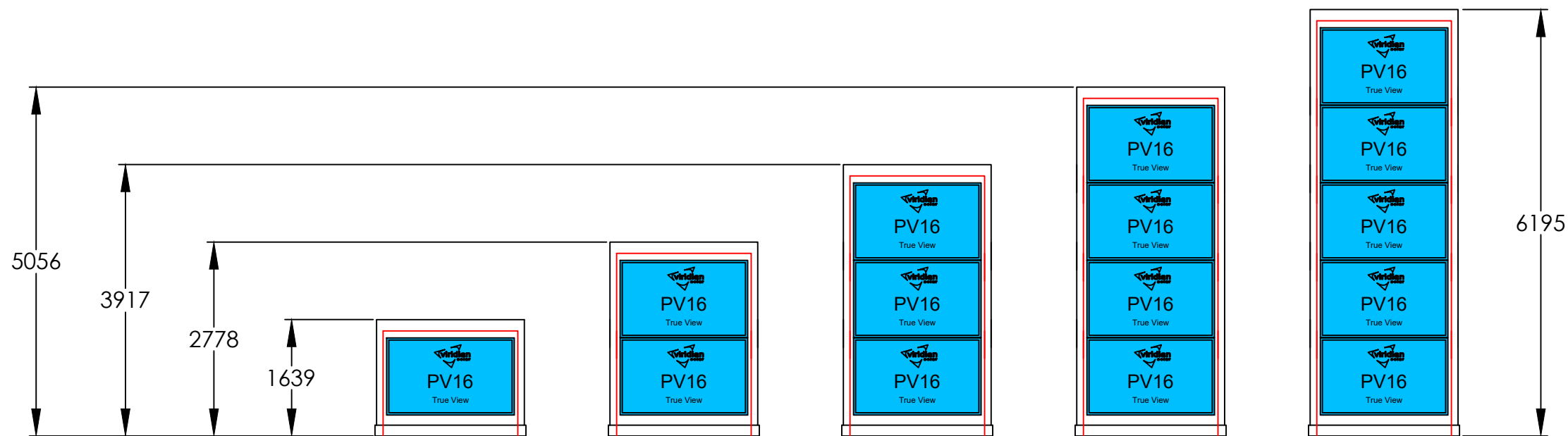


Add 1752mm width for each additional panel



PV16-M10 Fusion Landscape

Add 1139mm height for each additional row



Weight of solar panels:
PV16-M10 23kg

Where the panels are integrated into a pitched roof, fixed directly to the roof battens, the uniformly distributed load is around 13kg / m² for PV16-M10 . Therefore, they probably weigh less than the roof covering they are replacing. Roof structure modifications are unlikely to be necessary.

Revisions:

Notes:

Viridian Solar
Atlas Building,
68 Stirling Way, Papworth,
Cams. CB23 3GY
T 01480 831501
F 01480 831831
www.viridiansolar.co.uk

TITLE
Clearline Fusion PV16-M10
Landscape - Integrated
Pitched Roof Array Dimensions

DRAWN DG	CHECKED OB
-------------	---------------

DRAWING NUMBER 10.011h	Revision
---------------------------	----------

DATE 12.04.22	SCALE NTS
------------------	--------------