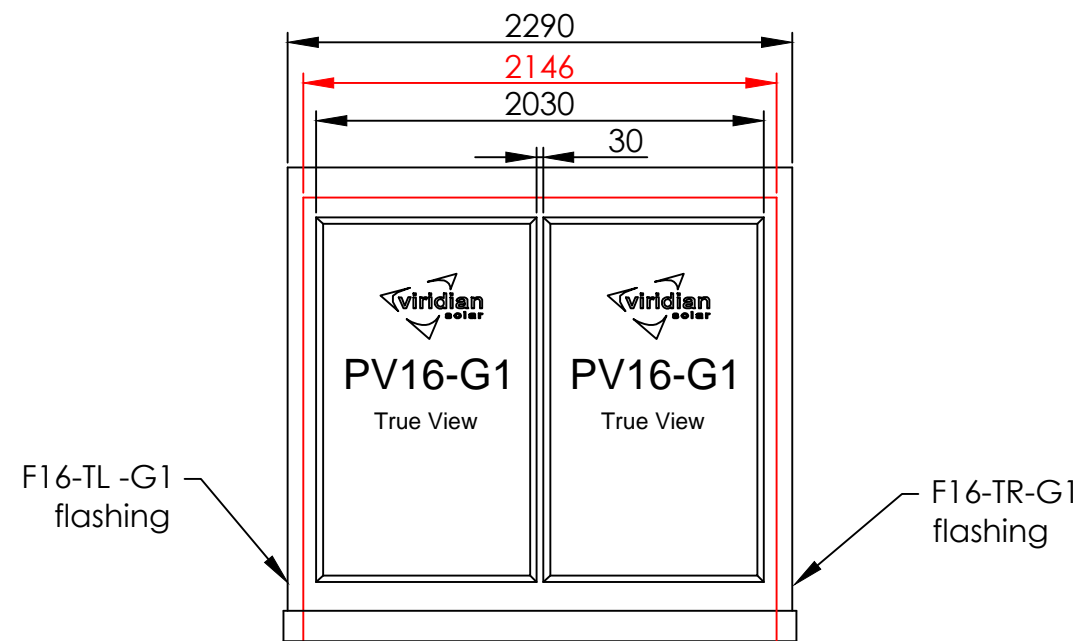


Close-coupled trio of panels
3320mm

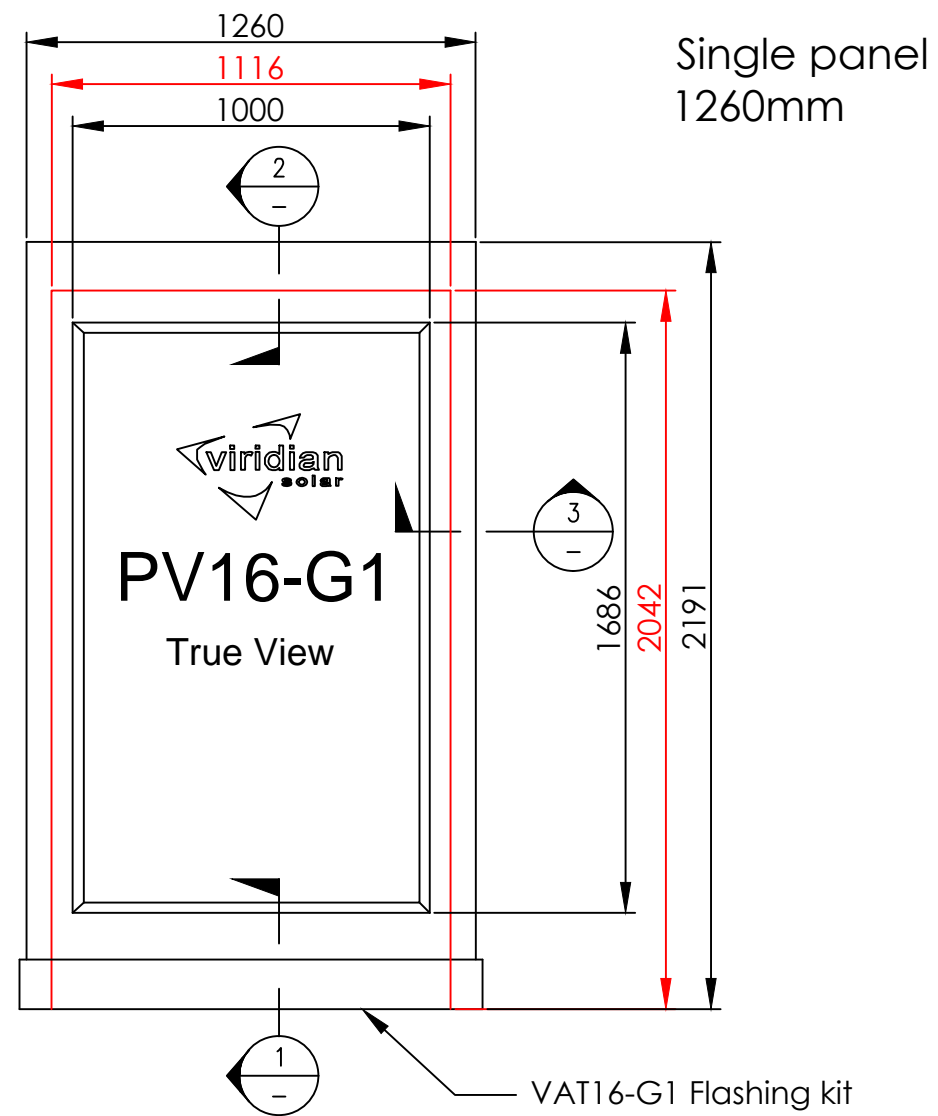
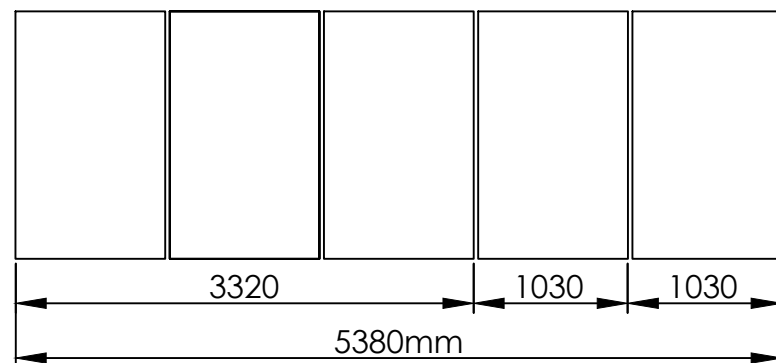


Close-coupled pair of panels
2290mm

Beyond 3 panels wide, add 1030mm for each additional panel to get the overall measurement to the outer flashing edges

Example for 5 Panel Row:

$$3320 + 1030 + 1030 = 5380\text{mm}$$



Single panel
1260mm

VAT16-G1 Flashing kit

Disclaimer:

This drawing and the information contained within it are the property of Viridian Concepts Ltd. and may not be used or reproduced without their express permission.

Notes:

Weight of solar panels: PV16-G1 - 21kg
Where the panels are fitted into a pitched tiled roof, they are fixed directly above the roof battens with a uniformly distributed load of 12.9kg per m². Roof structure modifications are unlikely to be necessary, as this is less than the weight of the replaced roof covering. Details of flashing - fixing see sheets 3 to 6. Red dimensions show extent of tiles.

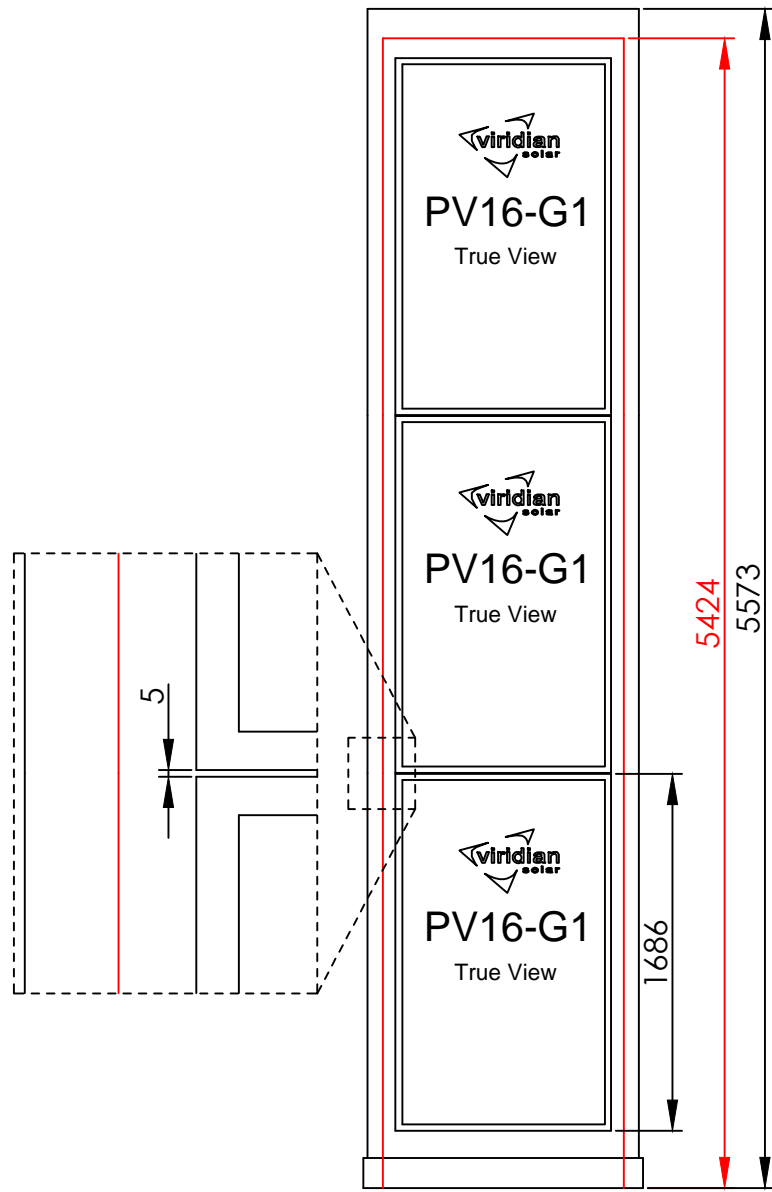
viridian solar
Viridian Solar
Atlas Building,
68 Stirling Way, Papworth,
Cams. CB23 3GY
T 01480 831501
F 01480 831831
www.viridiansolar.co.uk

TITLE
Clearline Fusion - PV16-G1
Portrait Integrated Pitched Roof
Flashing Detail

DRAWN
DG
CHECKED
KTT

DRAWING NUMBER
10 013
SHEET
1 of 6

DATE
11.11.20
SCALE



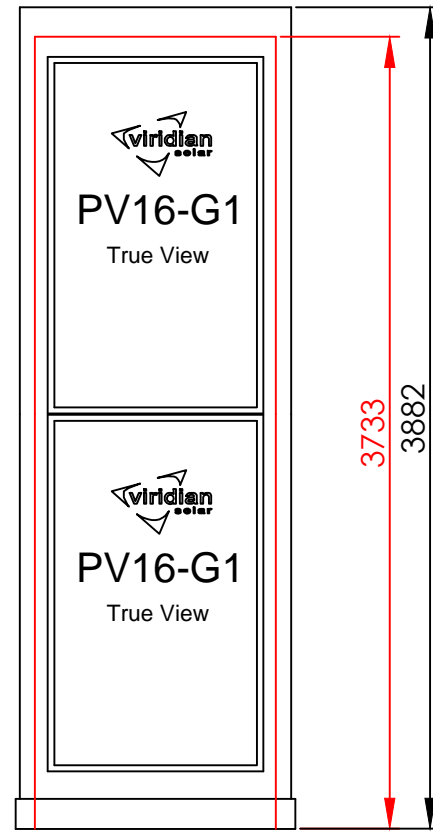
Height for 3 Rows of Fusion - 5573mm

Total Height for 3 rows = 5573mm
Add 1691mm for each additional row

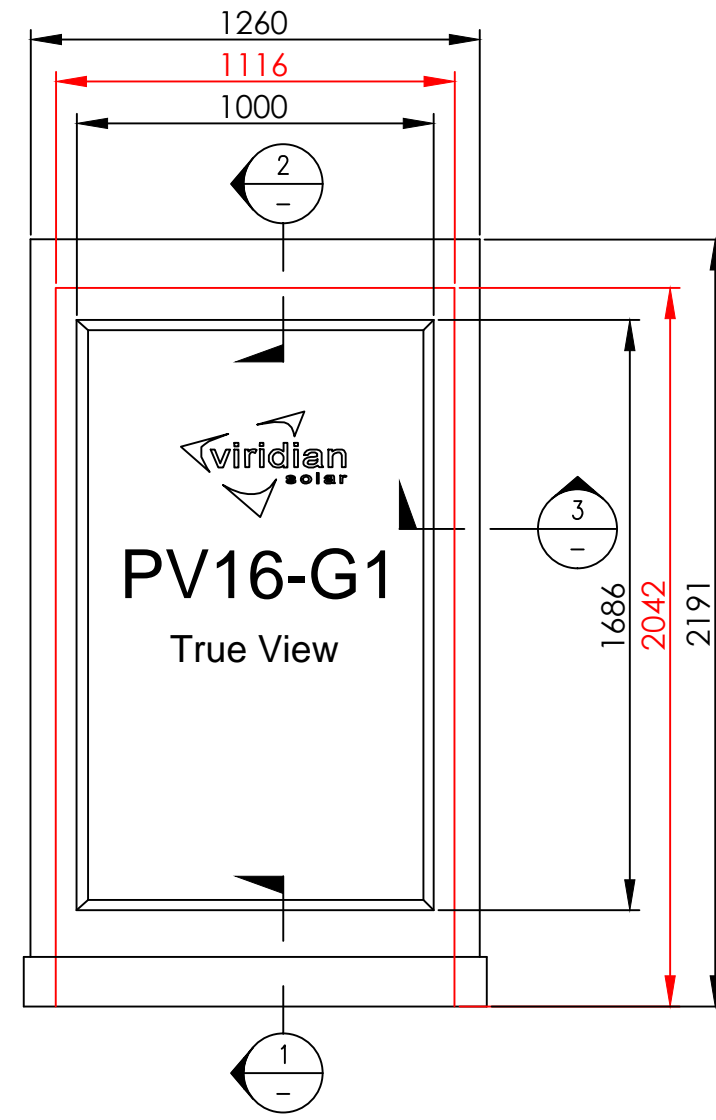
Example: For 5 Rows

$$5573 + 1691 + 1691 = 8955\text{mm.}$$

Height for 2 Rows of Fusion - 3882mm



Panel dimensions



Height for Single Row of Fusion - 2191mm

Disclaimer:
This drawing and the information contained within it are the property of Viridian Concepts Ltd. and may not be used or reproduced without their express permission.

0

Notes:

viridian solar
Viridian Solar
Atlas Building,
68 Stirling Way, Papworth,
Cams. CB23 3GY
T 01480 831501
F 01480 831831
www.viridiansolar.co.uk

TITLE
Clearline Fusion - PV16-G1
Portrait Integrated Pitched Roof
Flashing Detail

DRAWN DG	CHECKED KTT
-------------	----------------

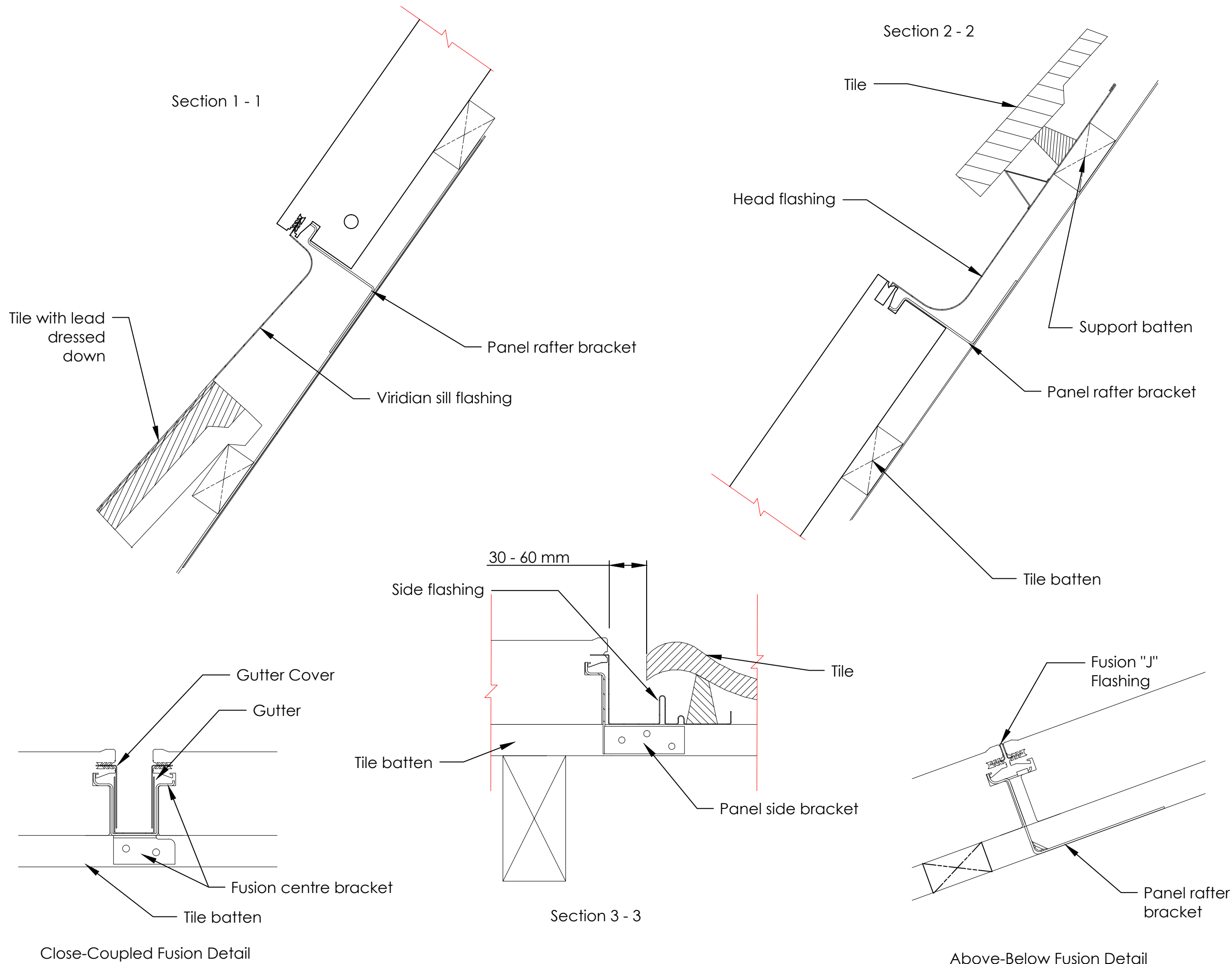
DRAWING NUMBER 10 013	SHEET 2 of 6
--------------------------	-----------------

DATE 11.11.20	SCALE
------------------	-------

Disclaimer:
 This drawing and the information contained within it are the property of Viridian Concepts Ltd. and may not be used or reproduced without their express permission.

0

Notes:



viridian solar
 Viridian Solar
 Atlas Building,
 68 Stirling Way, Papworth,
 Cambs. CB23 3GY
 T 01480 831501
 F 01480 831831
 www.viridiansolar.co.uk

TITLE
 Clearline Fusion PV16-G1
 Portrait Integrated Pitched Roof
 Fixing Details - Interlocking tiles

DRAWN AHS CHECKED KTT

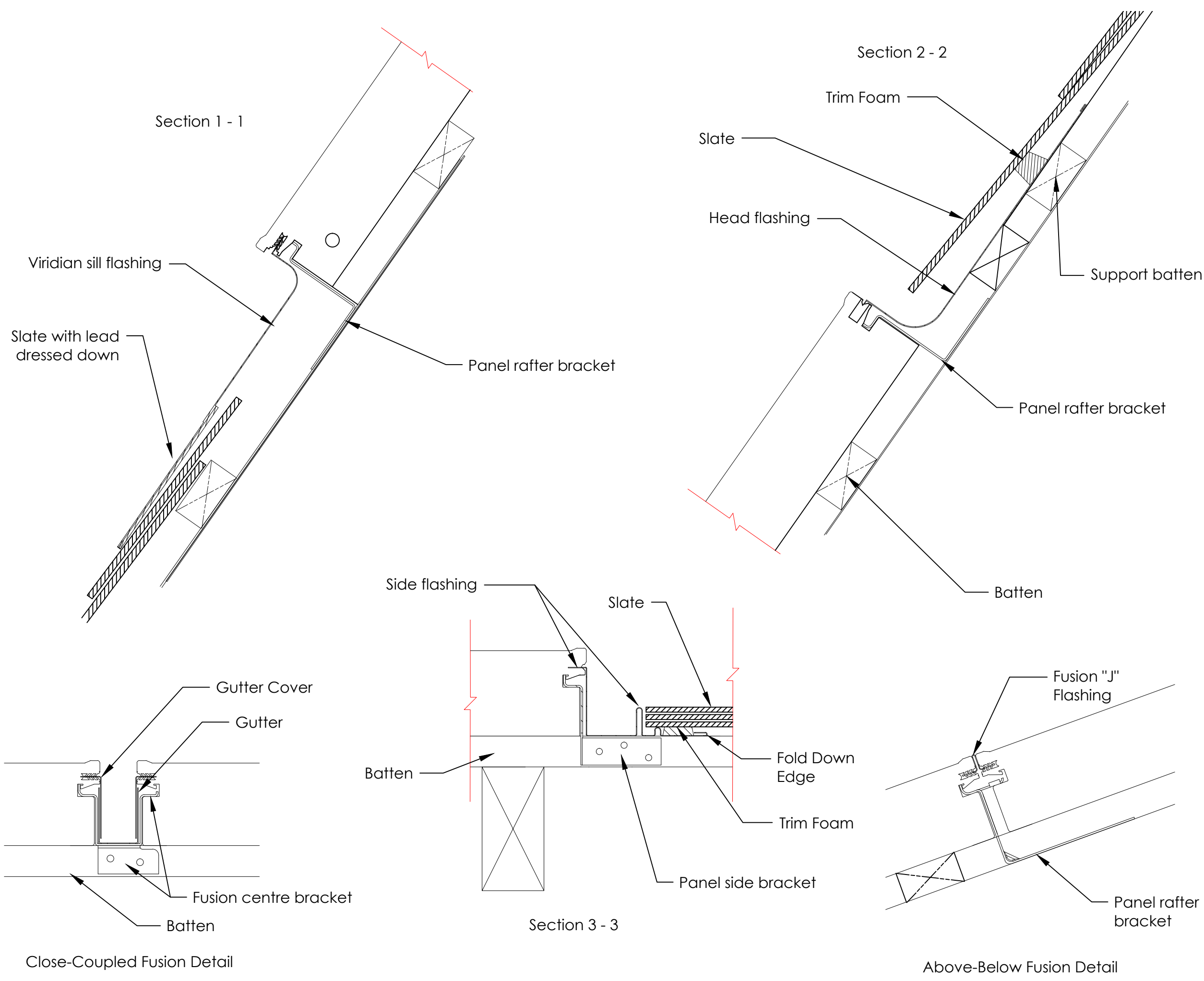
DRAWING NUMBER 10 013 SHEET 3 of 6

DATE 11.11.20 SCALE

Disclaimer:
 This drawing and the information contained within it are the property of Viridian Concepts Ltd. and may not be used or reproduced without their express permission.

0

Notes:



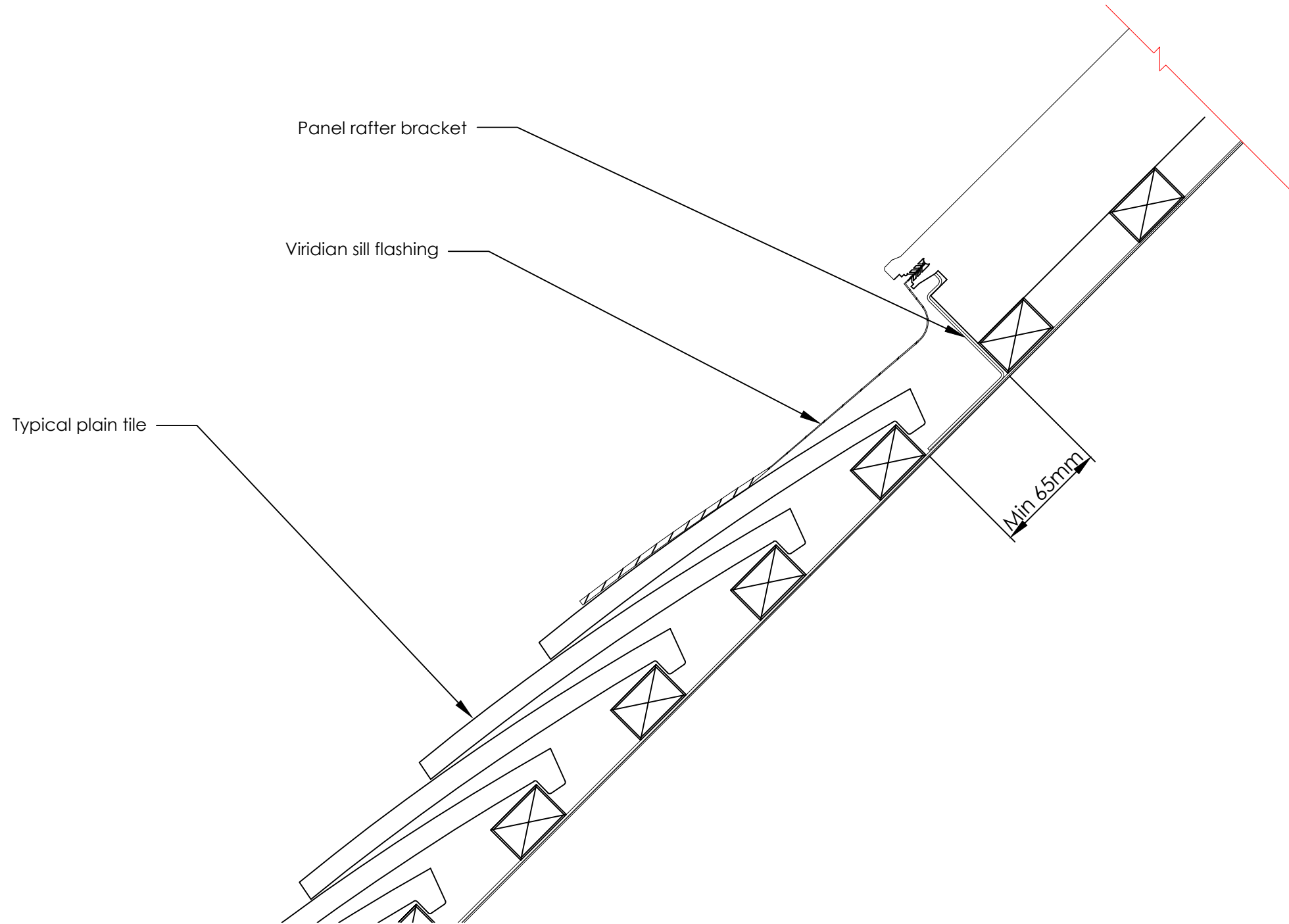
viridian solar
 Viridian Solar
 Atlas Building,
 68 Stirling Way, Papworth,
 Cambs. CB23 3GY
 T 01480 831501
 F 01480 831831
 www.viridiansolar.co.uk

TITLE
 Clearline Fusion PV16-G1
 Portrait - Integrated Pitched
 Roof Fixing Details - Slates

DRAWN AHS CHECKED KTT

DRAWING NUMBER 10 013 SHEET 4 of 6

DATE 11.11.20 SCALE



Disclaimer:

This drawing and the information contained within it are the property of Viridian Concepts Ltd. and may not be used or reproduced without their express permission.

0

Notes:

Final setting out should be completed by the roofer to ensure that the sill flashing is fully supported to give a neat and watertight finish.



Viridian Solar
 Atlas Building,
 68 Stirling Way, Papworth,
 Cambs. CB23 3GY
 T 01480 831501
 F 01480 831831
 www.viridiansolar.co.uk

TITLE
 Clearline Fusion PV16-G1
 Portrait - Integrated Pitched
 Roof Fixing Details - Plain Tile

DRAWN AHS	CHECKED KTT
--------------	----------------

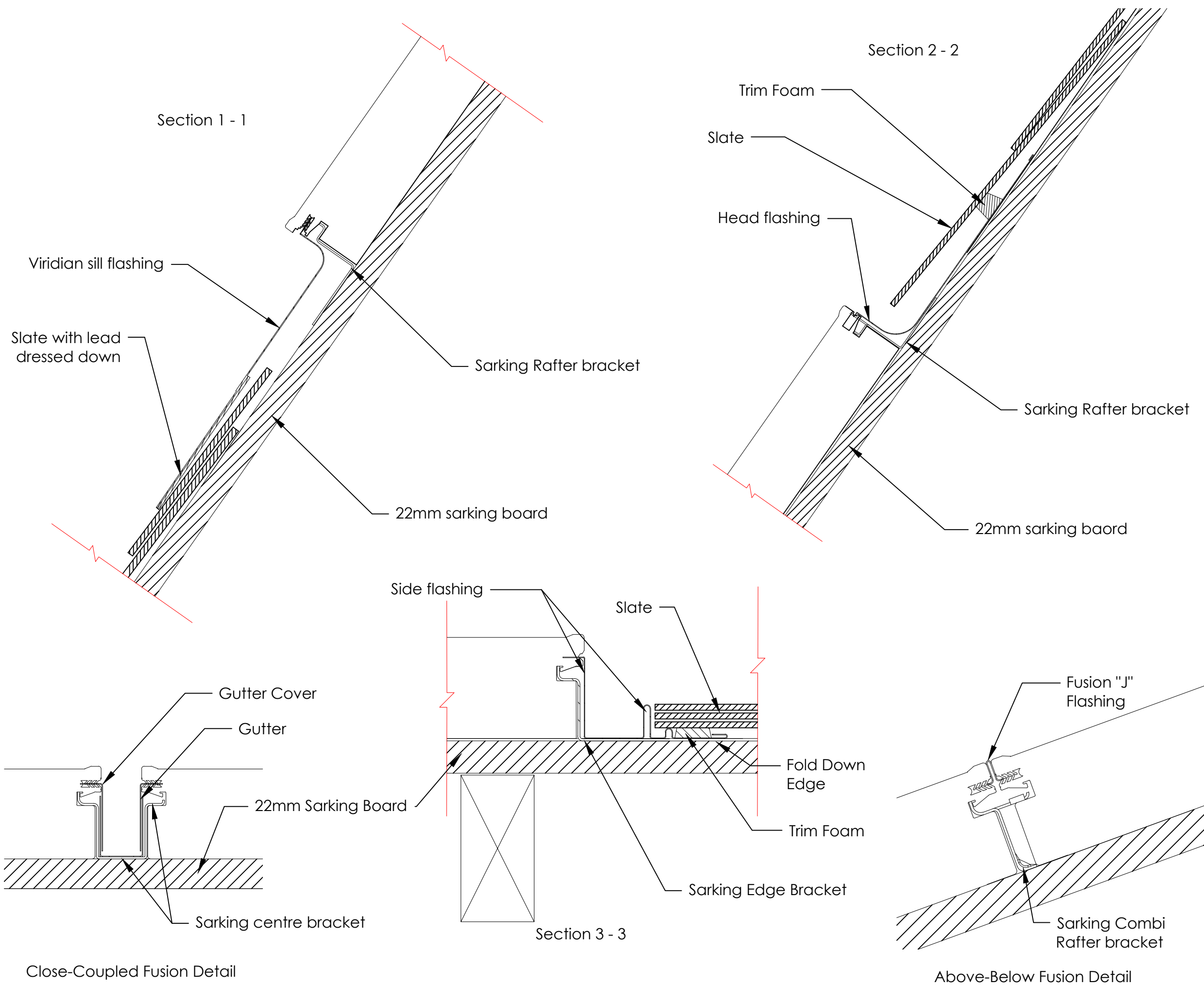
DRAWING NUMBER 10 013	SHEET 5 of 6
--------------------------	-----------------

DATE 11.11.20	SCALE
------------------	-------

Disclaimer:
 This drawing and the information contained within it are the property of Viridian Concepts Ltd. and may not be used or reproduced without their express permission.

0

Notes:



viridian solar
 Viridian Solar
 Atlas Building,
 68 Stirling Way, Papworth,
 Cambs. CB23 3GY
 T 01480 831501
 F 01480 831831
 www.viridiansolar.co.uk

TITLE Clearline Fusion PV16-G1
 Portrait - Integrated Pitched
 Roof Fixing Details - Slate
 Sarking

DRAWN DG CHECKED KTT

DRAWING NUMBER 10 013 SHEET 6 of 6

DATE 11.11.20 SCALE