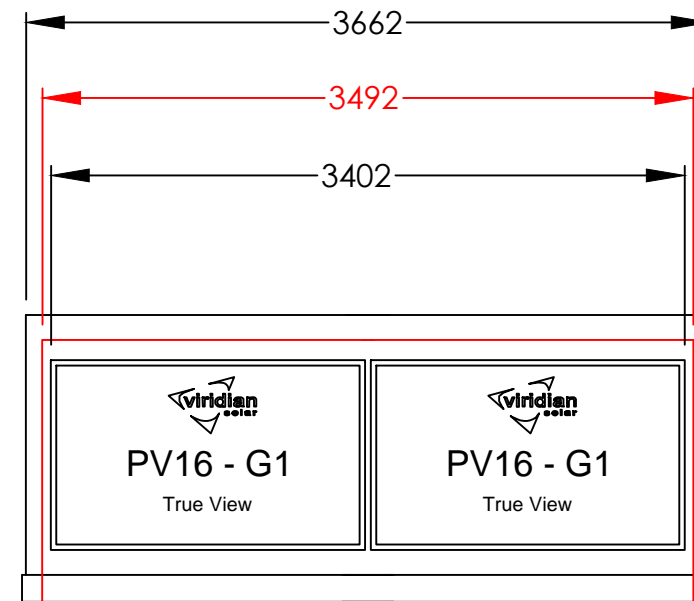


F16-LL-G1 F16-LC-G1 F16-LR-G1

Close-coupled trio of panels
5378mm



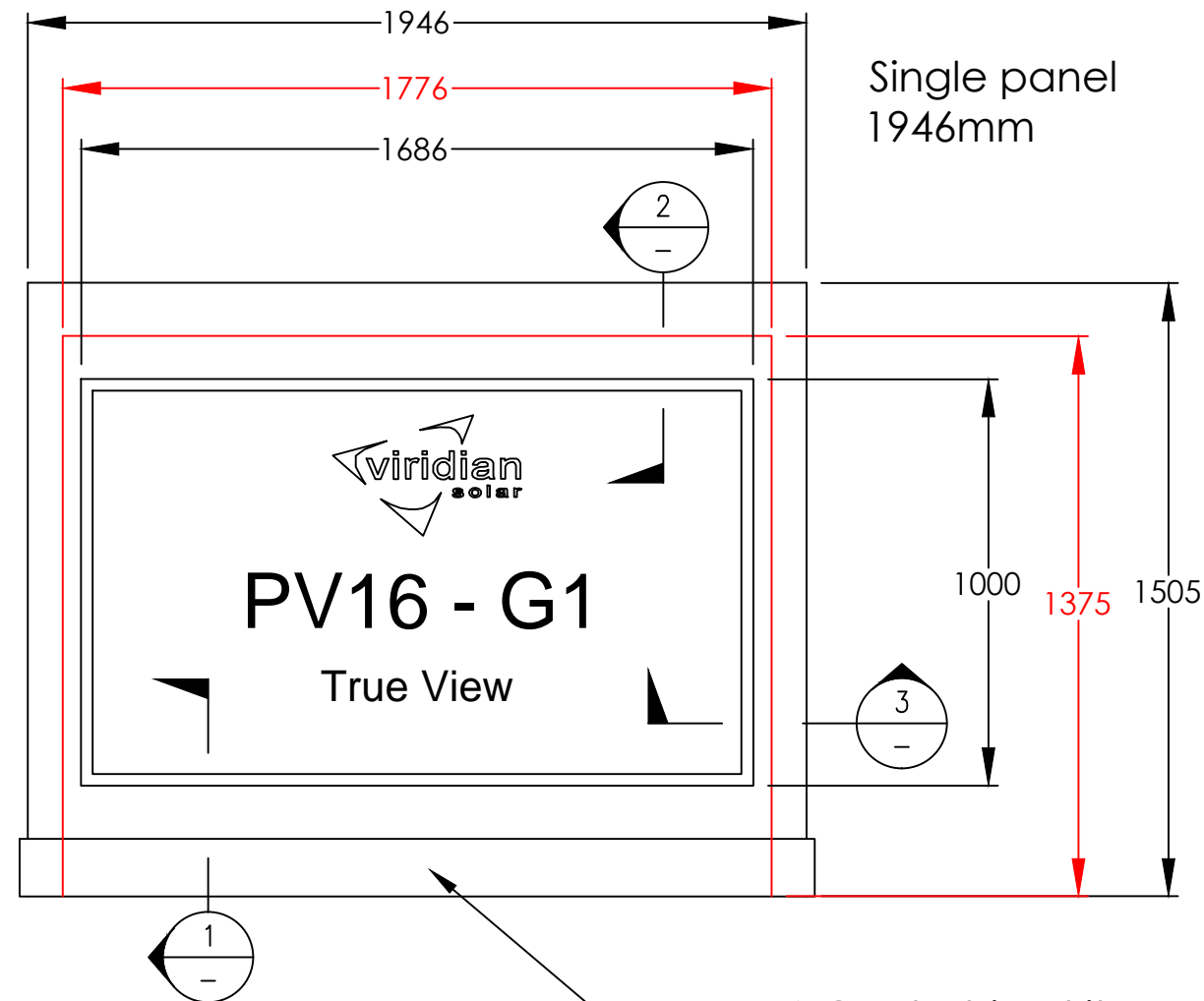
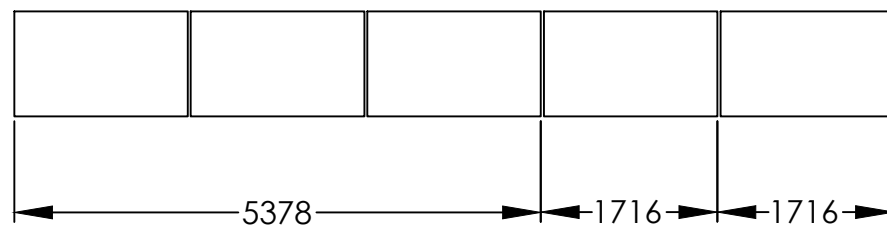
F16-LL-G1 F16-LR-G1

Close-coupled pair of panels
3662mm

Beyond 3 panels wide, add 1716mm for each additional panel to get the overall measurement to the outer flashing edges

Example for 5 Panel Row:

$$5378 + 1716 + 1716 = 8810\text{mm including flashings}$$



Single panel
1946mm

VAL16-G1 Flashing kit

Disclaimer:

This drawing and the information contained within it are the property of Viridian Concepts Ltd. and may not be reproduced without their express permission.

Issue:

0 11.11.20
Original Issue

DG

Notes:

Weight of solar panels: PV16 - 21kg
Where the panels are fitted into a pitched tiled/slate roof, they sit directly on the roof battens with a uniformly distributed load of 12.9kg per m². Roof structure modifications are unlikely to be necessary as this is typically less than the weight of the replaced roof covering.

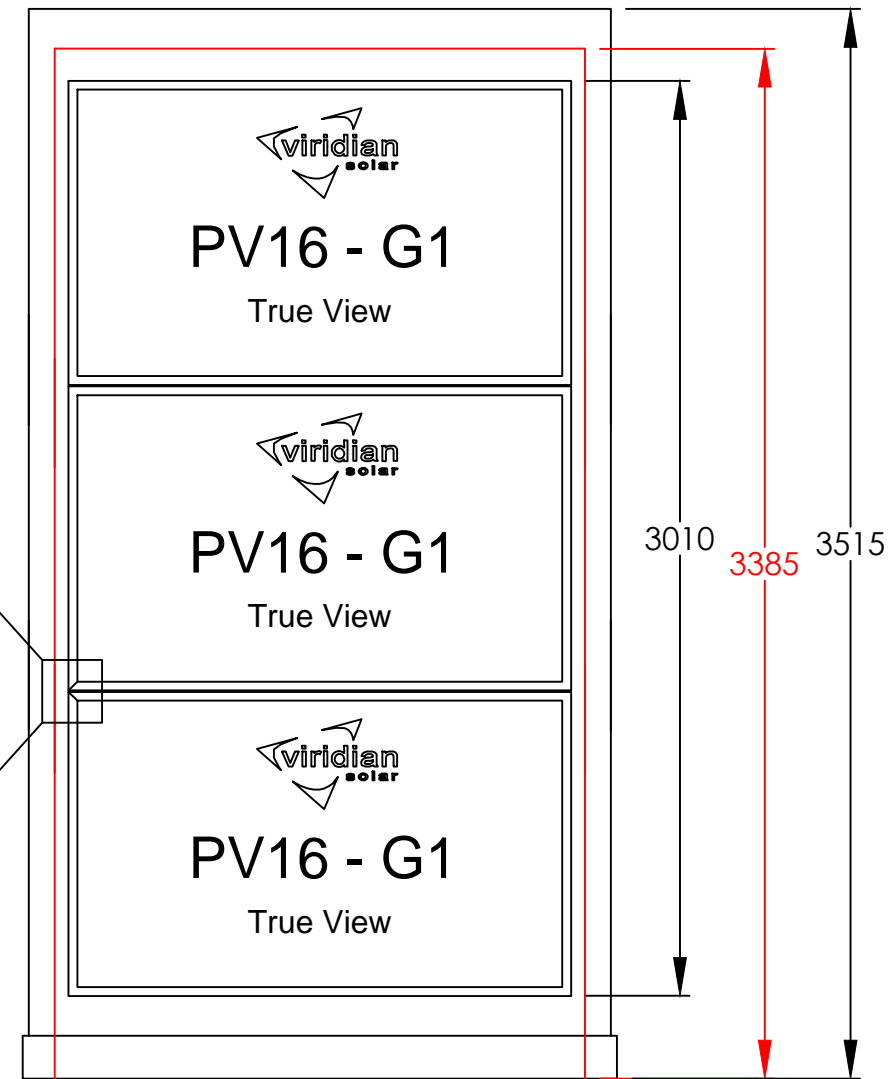
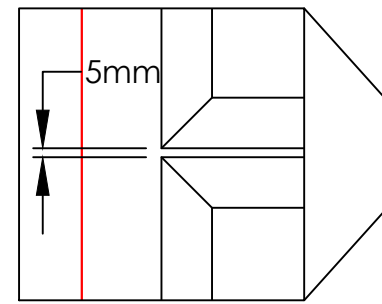
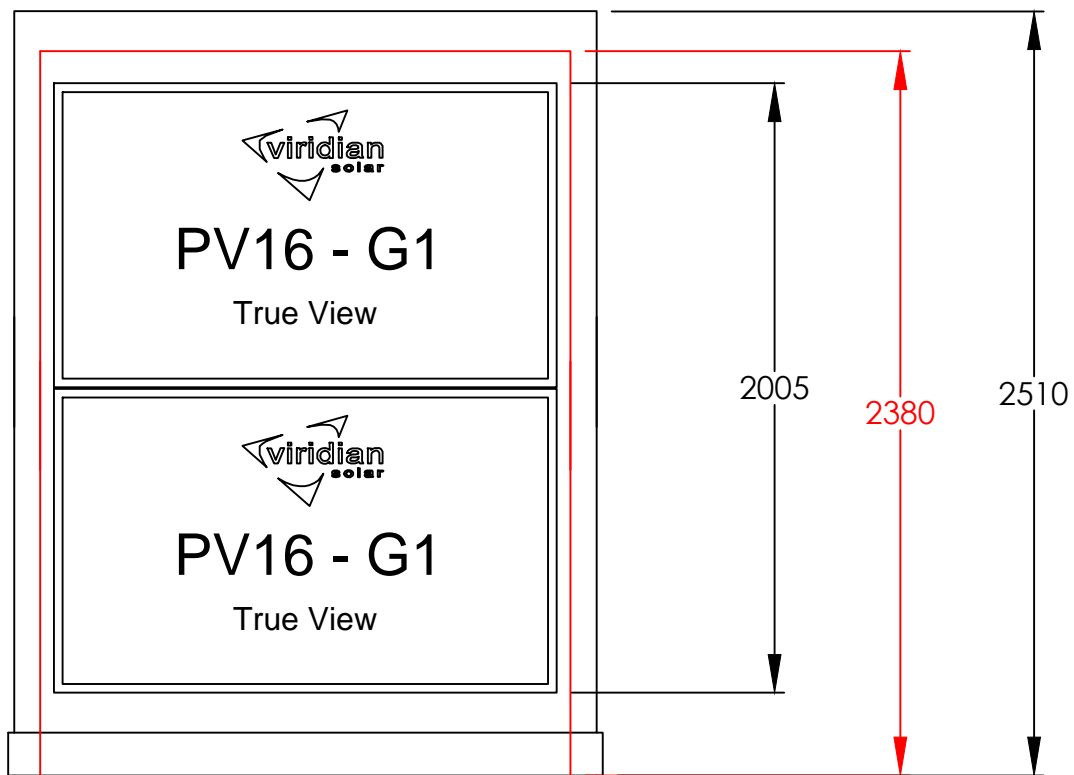
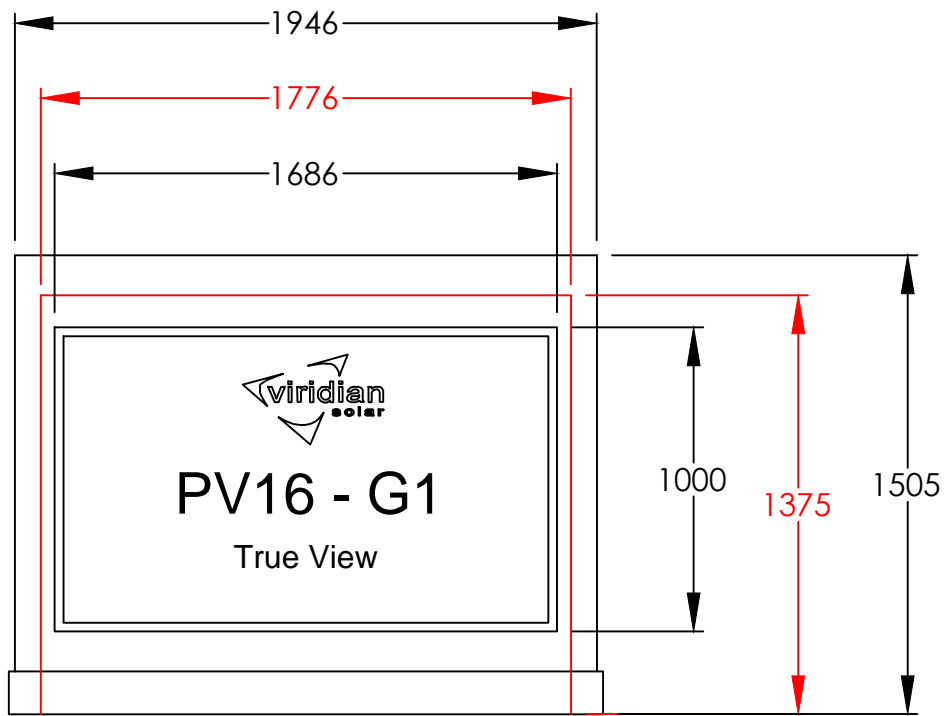
Details of flashing fixing - see sheets 3 to 6.

Red dimensions show the approximate extent of the tiles/slates - Exact dimension will vary according to roof detail. Please see the Viridian Fusion installation manual.

 Viridian Solar
Atlas Building,
68 Stirling Way, Papworth,
Cams. CB23 3GY
T 01480 831501
F 01480 831831
www.viridiansolar.co.uk

TITLE
Clearline Fusion - PV16-G1
Integrated Pitched Roof
Flashing Detail - Landscape

DRAWN DG	CHECKED KTT
DRAWING NUMBER 10 014	Sheet Number 1 of 6
DATE 11.11.20	SCALE NTS



Beyond 3 panels high, add 1005mm for each additional panel to get the overall measurement to the top and bottom flashing edges

Example for 5 Row system:

$$3515 + 1005 + 1005 = 5525\text{mm including flashings}$$

Disclaimer:

This drawing and the information contained within it are the property of Viridian Concepts Ltd. and may not be reproduced without their express permission.

Issue:

0 14.02.17
Original Issue

DG

Notes:

Weight of solar panels: PV16 - 21kg
Where the panels are fitted into a pitched tiled/slate roof, they sit directly on the roof battens with a uniformly distributed load of 12.9kg per m². Roof structure modifications are unlikely to be necessary as this is typically less than the weight of the replaced roof covering.

Details of flashing fixing - see sheets 3 to 6.

Red dimensions show the approximate extent of the tiles/slates - Exact dimension will vary according to roof detail. Please see the Viridian Fusion installation manual.



Viridian Solar
Atlas Building,
68 Stirling Way, Papworth,
Cams. CB23 3GY
T 01480 831501
F 01480 831831
www.viridiansolar.co.uk

TITLE
Clearline Fusion - PV16
Integrated Pitched Roof
Flashing Detail - Landscape

DRAWN DG	CHECKED KTT
DRAWING NUMBER 10 014	Sheet Number 2 of 6
DATE 11.11.20	SCALE NTS

Disclaimer:

This drawing and the information contained within it are the property of Viridian Concepts Ltd. and may not be reproduced without their express permission.

Issue:

0 14.02.17
Original Issue

DG

Notes:

Weight of solar panels: PV16 - 21kg
Where the panels are fitted into a pitched tiled/slate roof, they sit directly on the roof battens with a uniformly distributed load of 12.9kg per m². Roof structure modifications are unlikely to be necessary as this is typically less than the weight of the replaced roof covering.

Details of flashing fixing - see sheets 3 to 6.

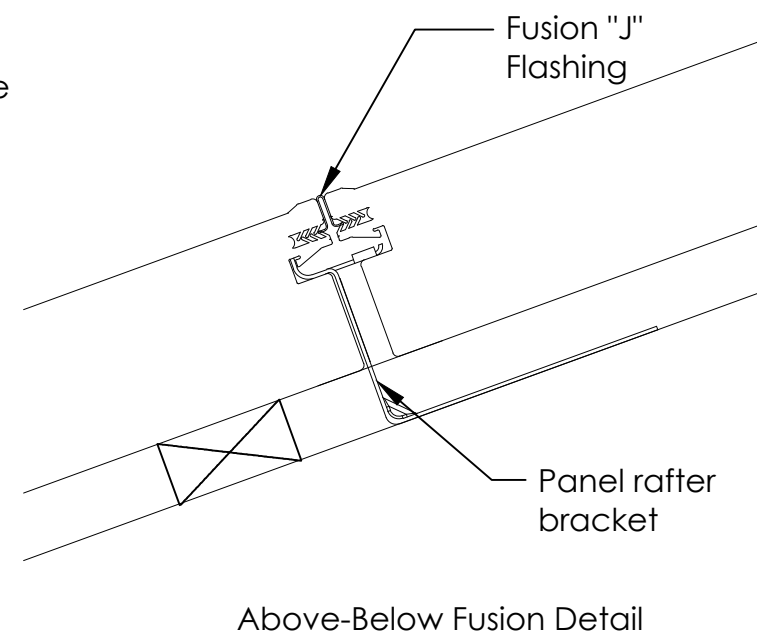
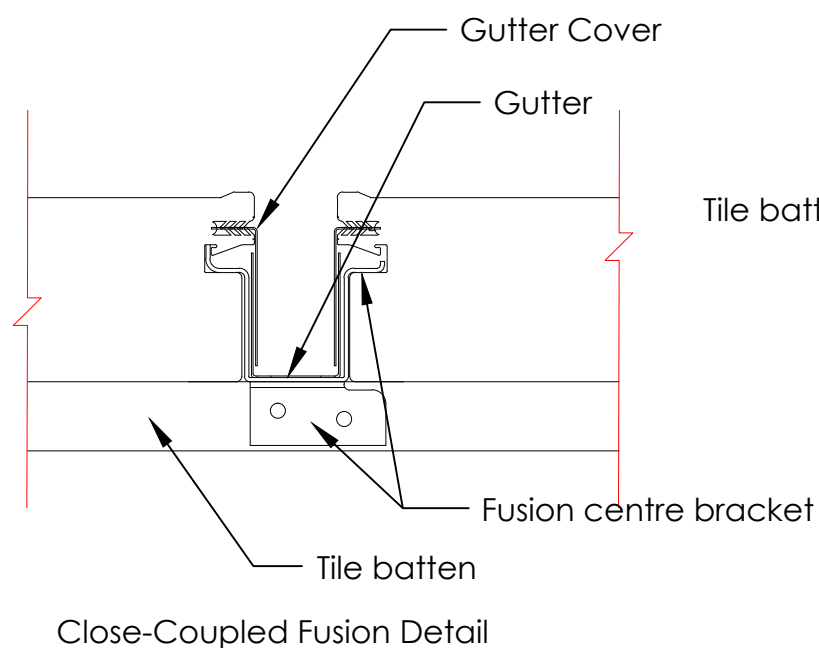
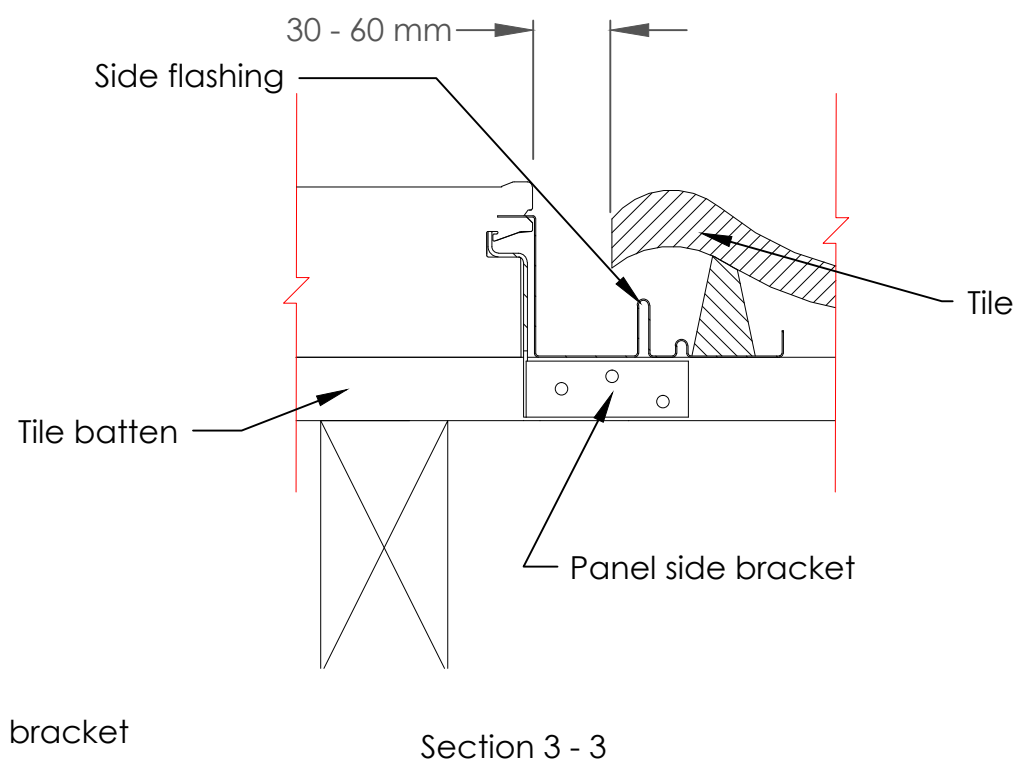
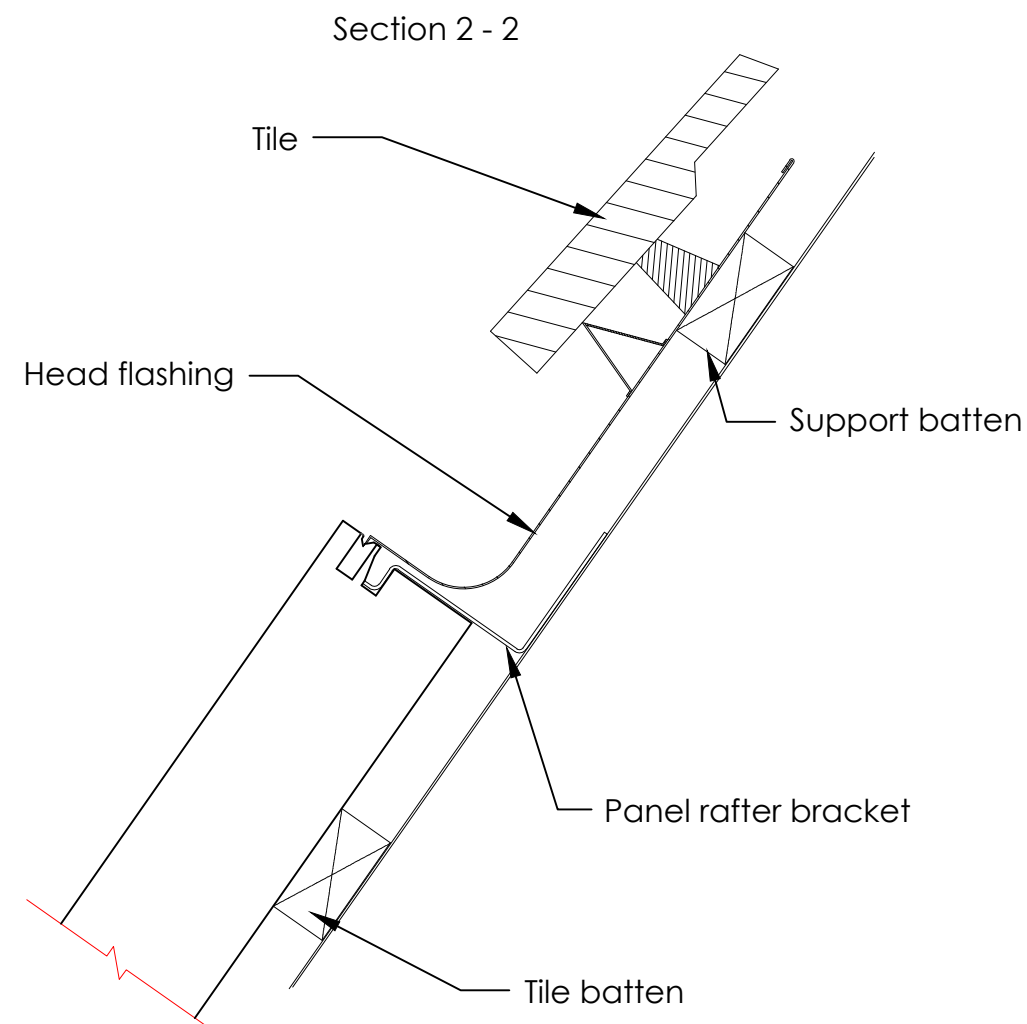
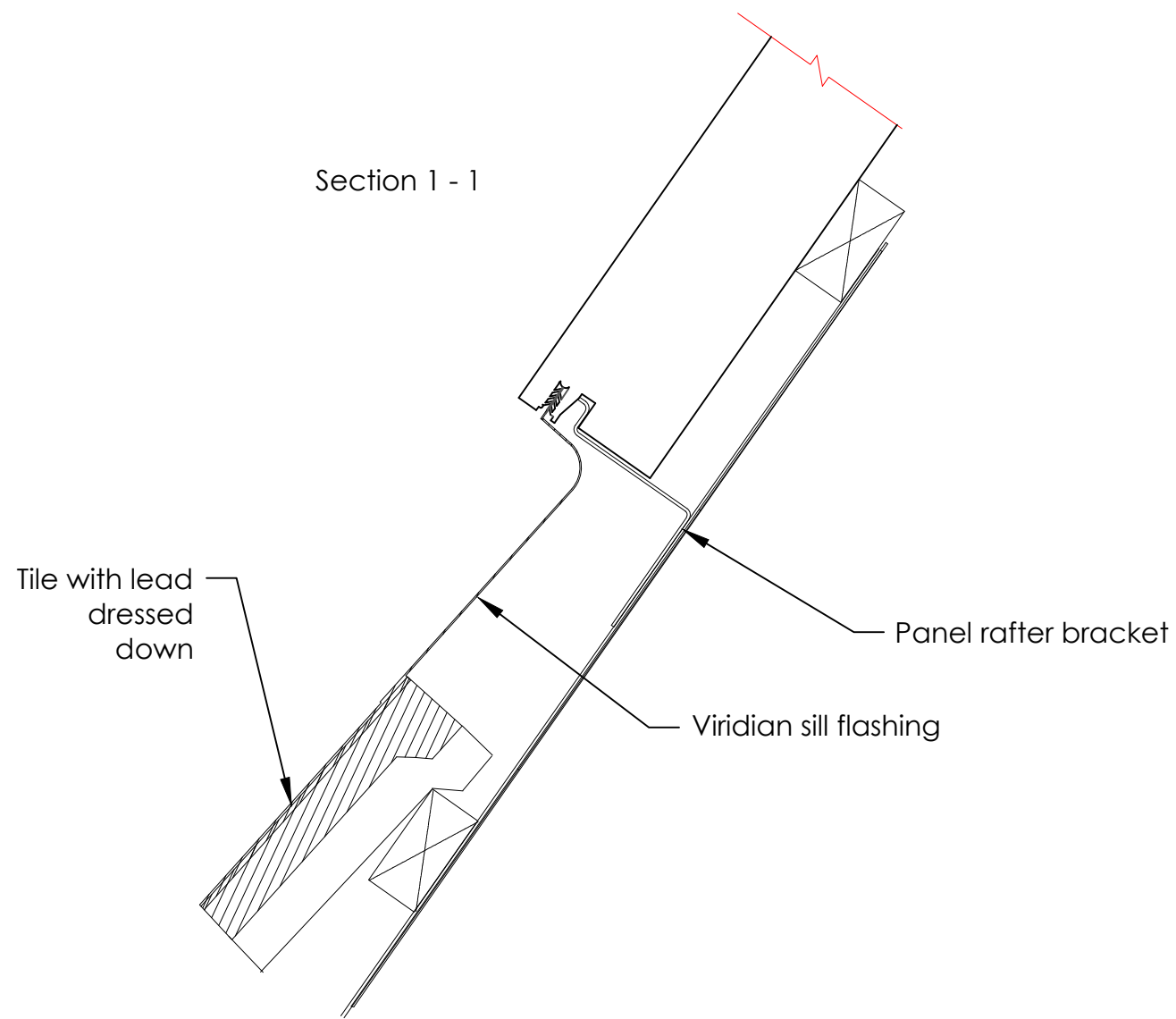
Red dimensions show the approximate extent of the tiles/slates - Exact dimension will vary according to roof detail. Please see the Viridian Fusion installation manual.



Viridian Solar
Atlas Building,
68 Stirling Way, Papworth,
Cams. CB23 3GY
T 01480 831501
F 01480 831831
www.viridiansolar.co.uk

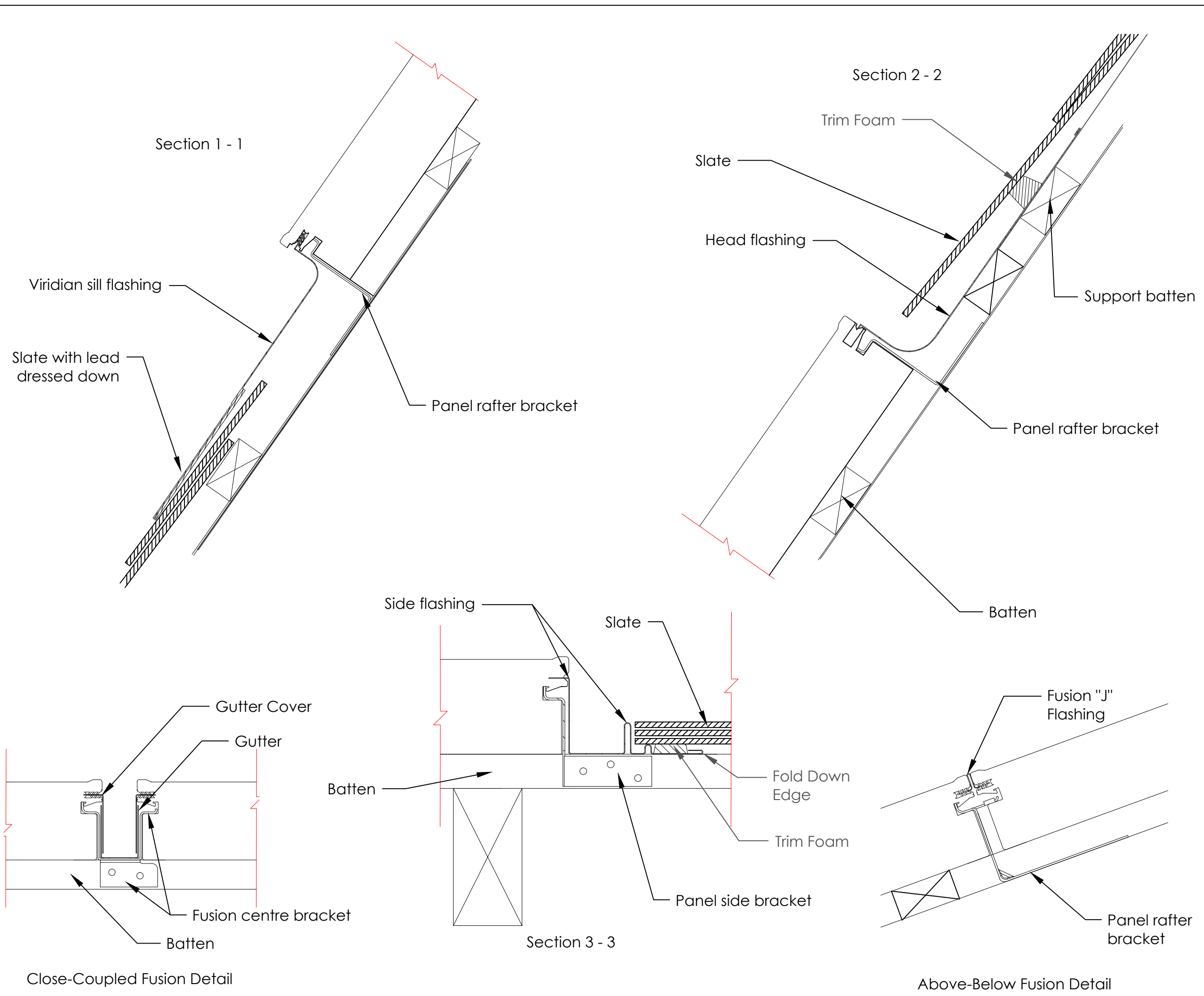
TITLE
Clearline Fusion - PV16
Integrated Pitched Roof
Fixing detail - Tile

DRAWN DG	CHECKED KIT
DRAWING NUMBER 10 014	Sheet Number 3 of 6
DATE 11.11.20	SCALE NTS



Section 3 - 3

Above-Below Fusion Detail



Disclaimer:
 This drawing and the information contained within it are the property of Viridian Concepts Ltd. and may not be reproduced without their express permission.

Issue:
 0 14.02.17 Original Issue DG

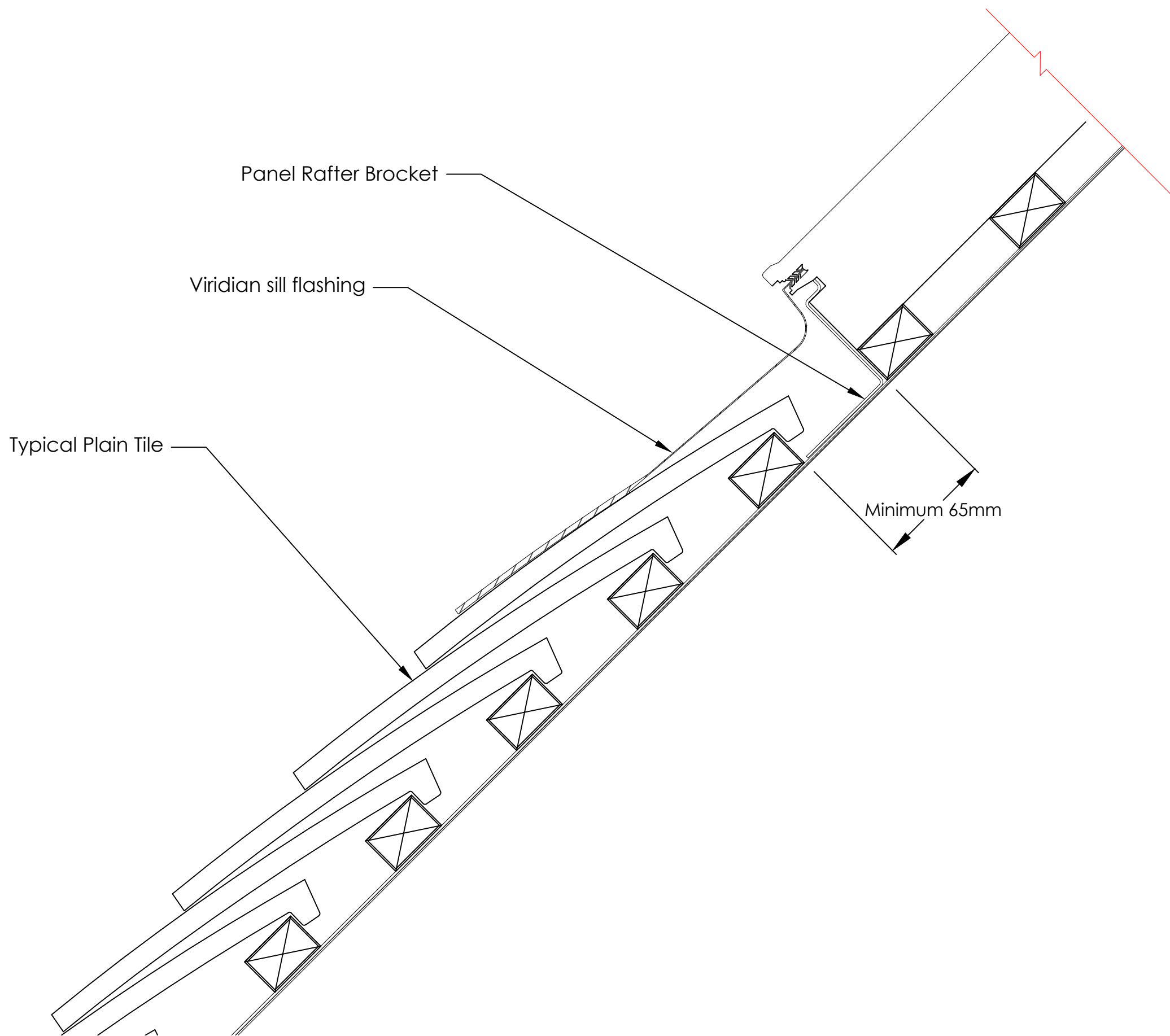
Notes:
 Weight of solar panels: PV16 - 21kg
 Where the panels are fitted into a pitched tiled/slate roof, they sit directly on the roof battens with a uniformly distributed load of 12.9kg per m². Roof structure modifications are unlikely to be necessary as this is typically less than the weight of the replaced roof covering.
 Details of flashing fixing - see sheets 3 to 6.
 Red dimensions show the approximate extent of the files/slates - Exact dimension will vary according to roof detail. Please see the Viridian Fusion installation manual.



Viridian Solar
 Atlas Building,
 68 Stirling Way, Papworth,
 Cambs. CB23 3GY
 T 01480 831501
 F 01480 831831
 www.viridiansolar.co.uk

TITLE
**Clearline Fusion - PV16
 Integrated Pitched Roof
 Fixing Detail - Slate**

DRAWN DG	CHECKED KIT
DRAWING NUMBER 10 014	Sheet Number 4 of 6
DATE 11.11.20	SCALE NTS



Disclaimer:

This drawing and the information contained within it are the property of Viridian Concepts Ltd. and may not be reproduced without their express permission.

Issue:

0 14.02.17
Original Issue

DG

Notes:

Weight of solar panels: PV16 - 21kg
Where the panels are fitted into a pitched tiled/slate roof, they sit directly on the roof battens with a uniformly distributed load of 12.9kg per m². Roof structure modifications are unlikely to be necessary as this is typically less than the weight of the replaced roof covering.

Details of flashing fixing - see sheets 3 to 6.

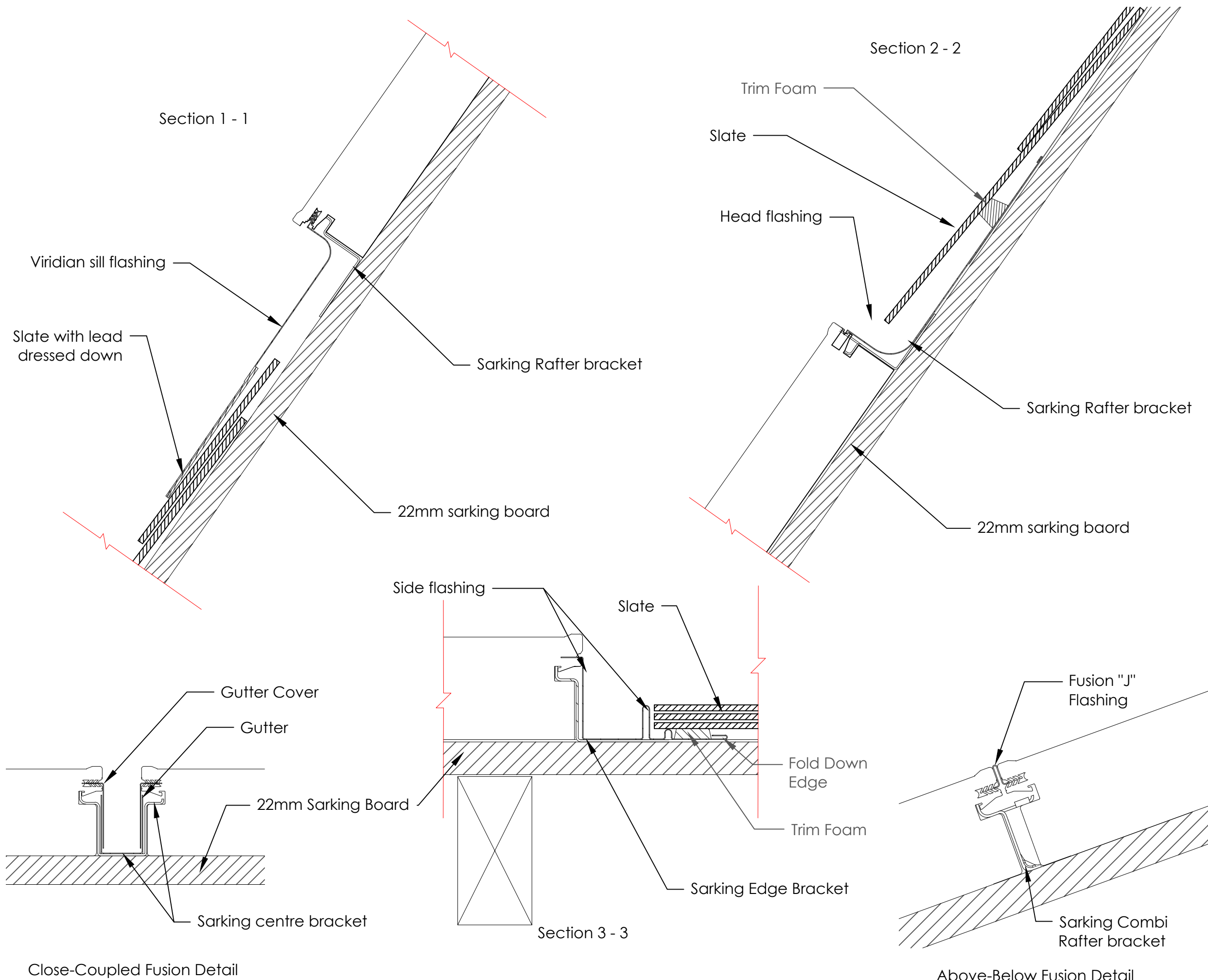
Red dimensions show the approximate extent of the tiles/slates - Exact dimension will vary according to roof detail. Please see the Viridian Fusion installation manual.



Viridian Solar
Atlas Building,
68 Stirling Way, Papworth,
Cams. CB23 3GY
T 01480 831501
F 01480 831831
www.viridiansolar.co.uk

TITLE
Clearline Fusion - PV16
Integrated Pitched Roof
Fixing Detail - Plain Tile

DRAWN	DG	CHECKED	KTT
DRAWING NUMBER	10 014	Sheet Number	5 of 6
DATE	11.11.20	SCALE	NTS



Disclaimer:
 This drawing and the information contained within it are the property of Viridian Concepts Ltd. and may not be reproduced without their express permission.

Issue:
 0 14.02.17 Original Issue DG

Notes:
 Weight of solar panels: PV16 - 21kg
 Where the panels are fitted into a pitched tiled/slate roof, they sit directly on the roof battens with a uniformly distributed load of 12.9kg per m². Roof structure modifications are unlikely to be necessary as this is typically less than the weight of the replaced roof covering.

Details of flashing fixing - see sheets 3 to 6.

Red dimensions show the approximate extent of the tiles/slates - Exact dimension will vary according to roof detail. Please see the Viridian Fusion installation manual.



Viridian Solar
 Atlas Building,
 68 Stirling Way, Papworth,
 Cambs. CB23 3GY
 T 01480 831501
 F 01480 831831
 www.viridiansolar.co.uk

TITLE
**Clearline Fusion - PV16
 Integrated Pitched Roof
 Fixing Detail - Slate Sarking**

DRAWN DG CHECKED KTT

DRAWING NUMBER 10 014 Sheet Number 6 of 6

DATE 11.11.20 SCALE NTS