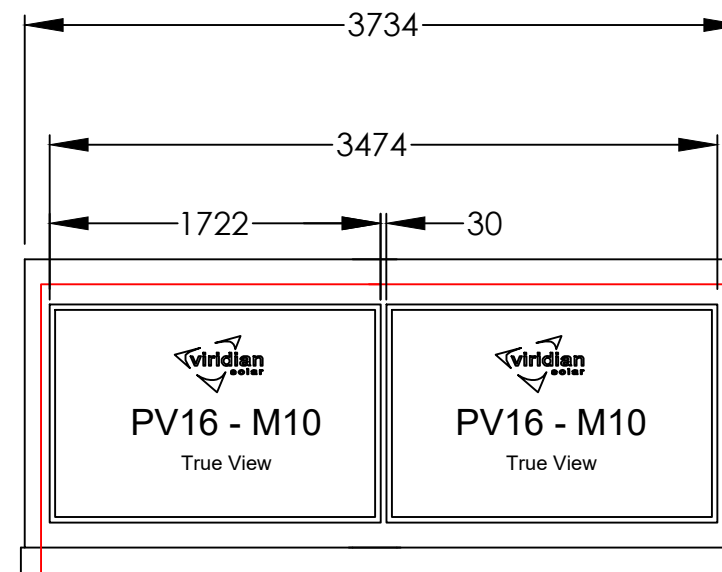


F16-LL-M10 F16-LC-M10 F16-LR-M10

Close-coupled trio of panels
5486mm



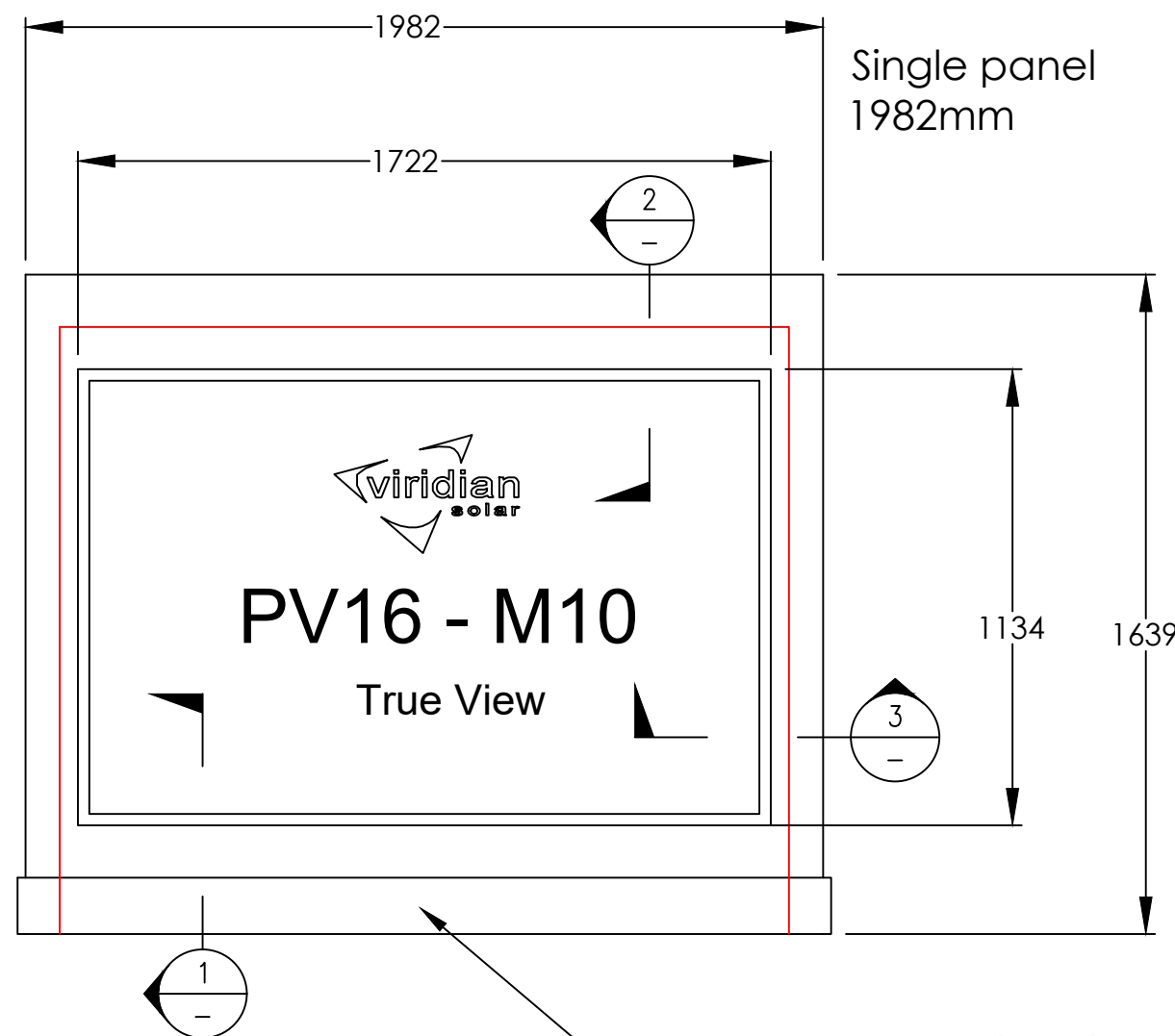
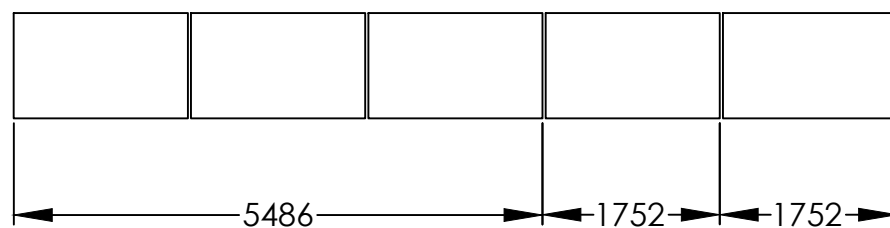
F16-LL-M10 F16-LR-M10

Close-coupled pair of panels
3734mm

Beyond 3 panels wide, add 1752mm for each additional panel to get the overall measurement to the outer flashing edges

Example for 5 Panel Row:

$$5486 + 1752 + 1752 = 8990\text{mm including flashings}$$



VAL16-M10 Flashing kit

Disclaimer:

This drawing and the information contained within it are the property of Viridian Concepts Ltd. and may not be reproduced without their express permission.

Issue:

0 30.08.22
Original Issue

DG

Notes:

Weight of solar panels: PV16 - M10 = 25kg
Where the panels are fitted into a pitched tiled/slate roof, they sit directly on the roof battens with a uniformly distributed load of 12.8kg per m². Roof structure modifications are unlikely to be necessary as this is typically less than the weight of the replaced roof covering.

Details of flashing fixing - see sheets 3 to 6.

Red line shows the approximate extent of the tiles/slates - Exact dimension will vary according to roof detail. Please see the Viridian Fusion installation manual.

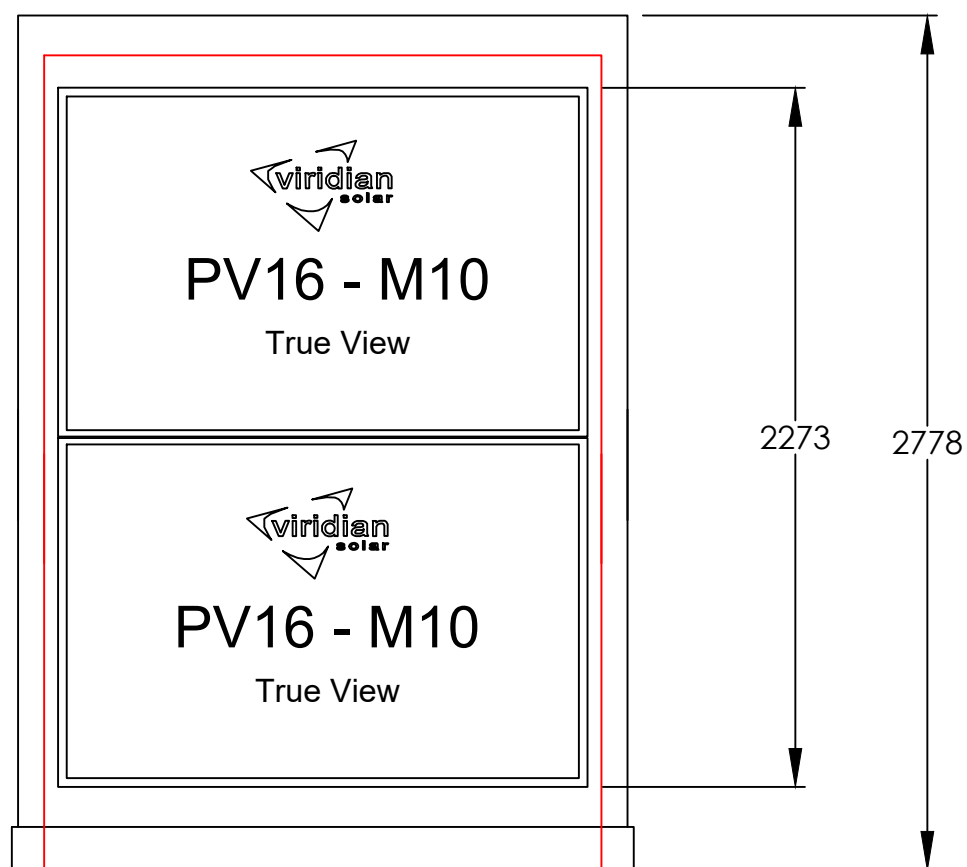
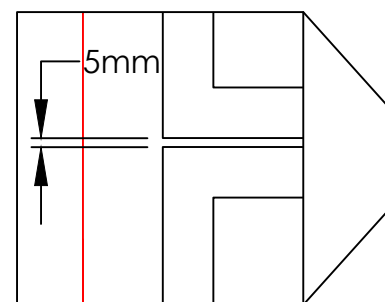
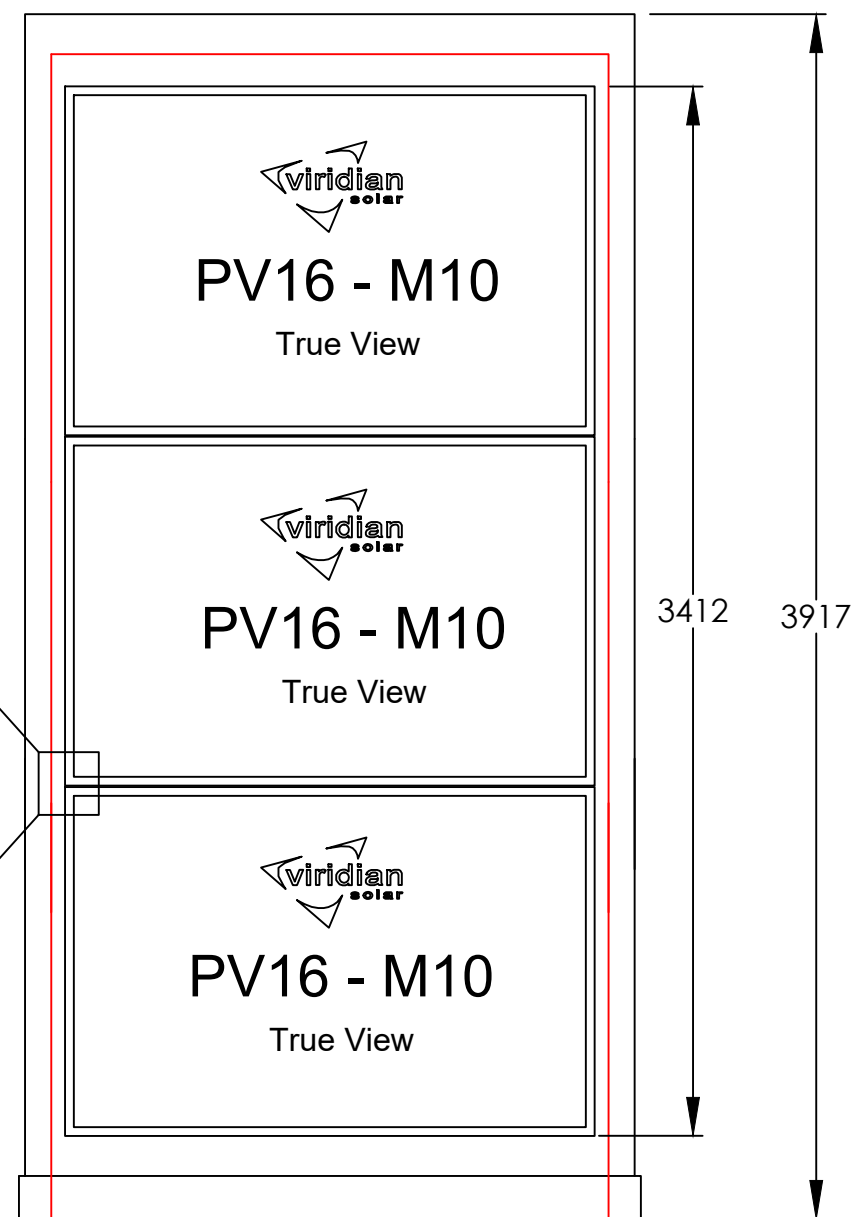
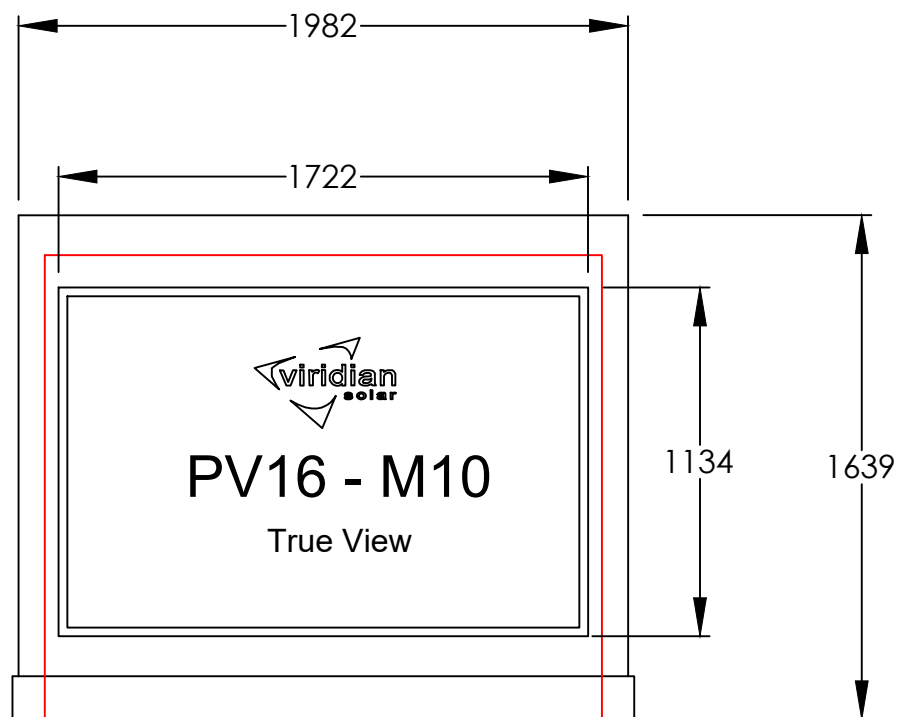
Viridian Solar
Atlas Building,
68 Stirling Way, Papworth,
Cambs. CB23 3GY
T 01480 831501
F 01480 831831
www.viridiansolar.co.uk

TITLE
Clearline Fusion - PV16-M10
Integrated Pitched Roof
Flashing Detail - Landscape

DRAWN CHECKED
DG KTT

DRAWING NUMBER Sheet Number
10 017 1 of 6

DATE SCALE
30.08.22 NTS



Beyond 3 panels high, add 1139mm for each additional panel to get the overall measurement to the top and bottom flashing edges

Example for 5 Row system:

$$3917 + 1139 + 1139 = 6195\text{mm including flashings}$$

Disclaimer:

This drawing and the information contained within it are the property of Viridian Concepts Ltd. and may not be reproduced without their express permission.

Issue:

0 30.08.22
Original Issue

DG

Notes:

Weight of solar panels: PV16 - M10 = 25kg
Where the panels are fitted into a pitched tiled/slate roof, they sit directly on the roof battens with a uniformly distributed load of 12.8kg per m². Roof structure modifications are unlikely to be necessary as this is typically less than the weight of the replaced roof covering.

Details of flashing fixing - see sheets 3 to 6.

Red line shows the approximate extent of the tiles/slates - Exact dimension will vary according to roof detail. Please see the Viridian Fusion installation manual.

viridian solar
Viridian Solar
Atlas Building,
68 Stirling Way, Papworth,
Cams. CB23 3GY
T 01480 831501
F 01480 831831
www.viridiansolar.co.uk

TITLE
Clearline Fusion - PV16 - M10
Integrated Pitched Roof
Flashing Detail - Landscape

DRAWN DG	CHECKED KTT
DRAWING NUMBER 10 017	Sheet Number 2 of 6
DATE 30.08.22	SCALE NTS

Disclaimer:
 This drawing and the information contained within it are the property of Viridian Concepts Ltd. and may not be reproduced without their express permission.

Issue:
 0 30.08.22 Original Issue DG

Notes:
 Weight of solar panels: PV16 - M10 = 25kg
 Where the panels are fitted into a pitched tiled/slate roof, they sit directly on the roof battens with a uniformly distributed load of 12.8kg per m². Roof structure modifications are unlikely to be necessary as this is typically less than the weight of the replaced roof covering.

Details of flashing fixing - see sheets 3 to 6.

Red line shows the approximate extent of the tiles/slates - Exact dimension will vary according to roof detail. Please see the Viridian Fusion installation manual.



Viridian Solar
 Atlas Building,
 68 Stirling Way, Papworth,
 Cambs. CB23 3GY
 T 01480 831501
 F 01480 831831
 www.viridiansolar.co.uk

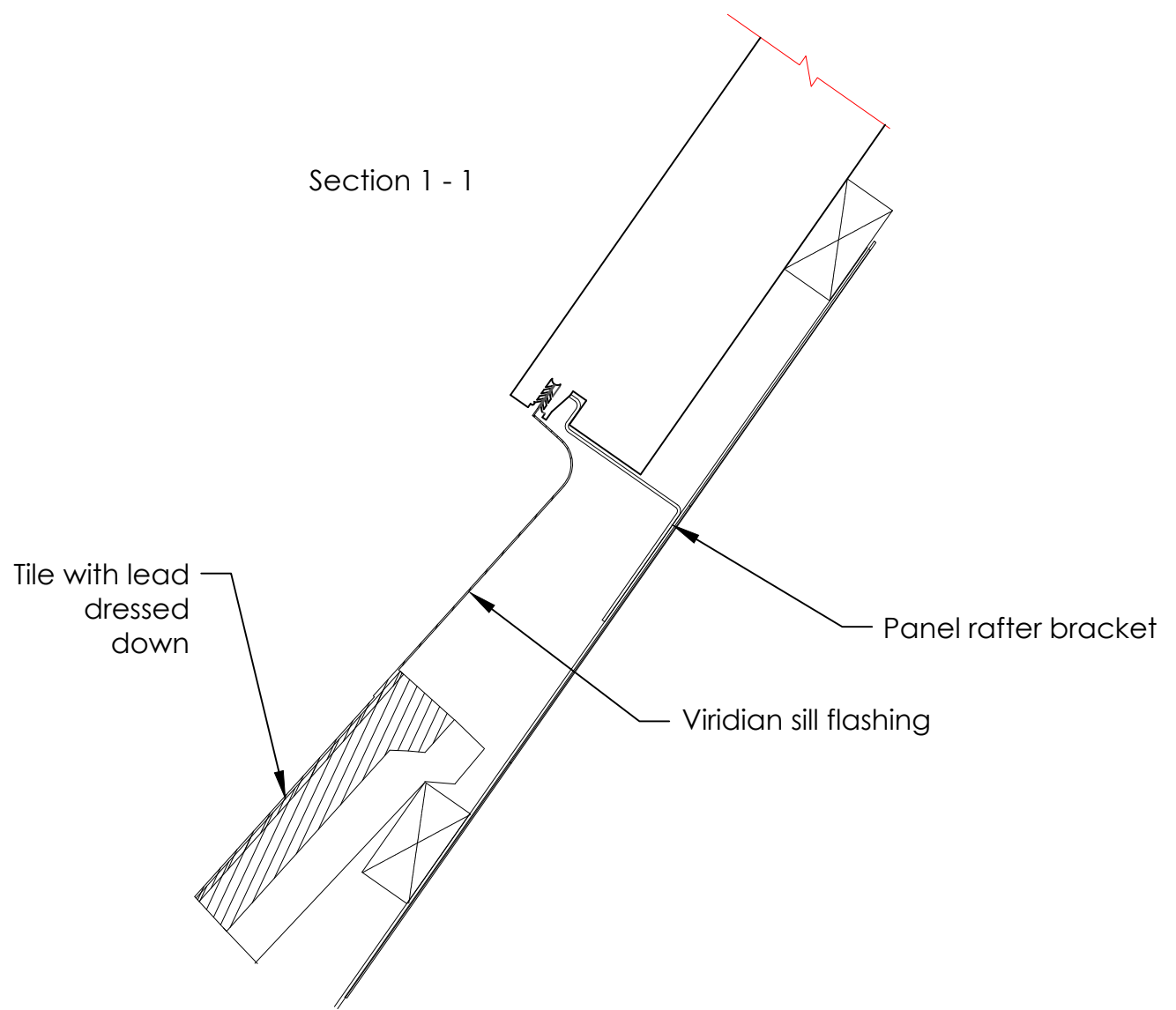
TITLE
 Clearline Fusion - PV16-M10
 Integrated Pitched Roof
 Fixing detail - Tile

DRAWN DG CHECKED KTT

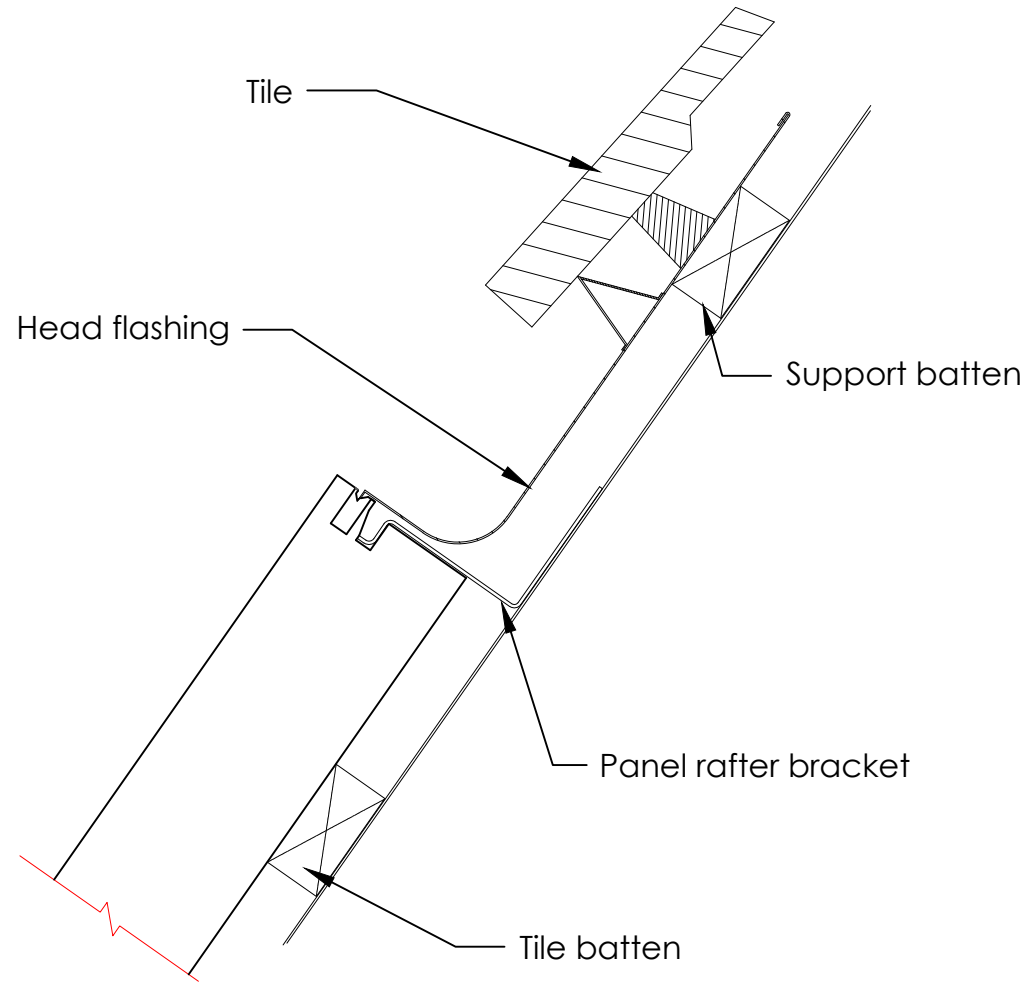
DRAWING NUMBER 10 017 Sheet Number 3 of 6

DATE 30.08.22 SCALE NTS

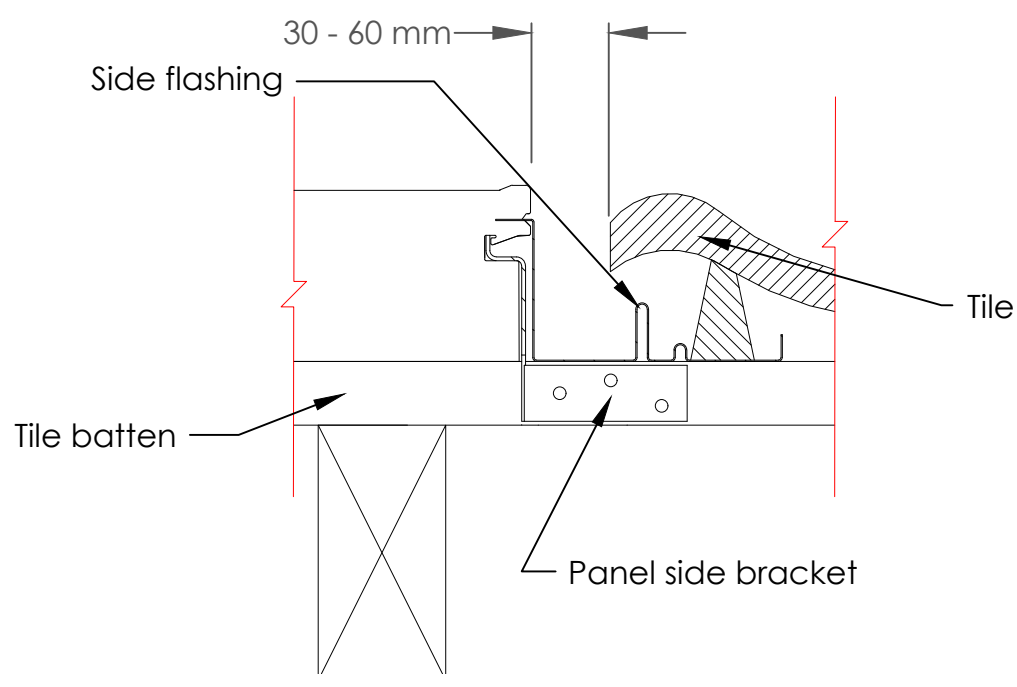
Section 1 - 1



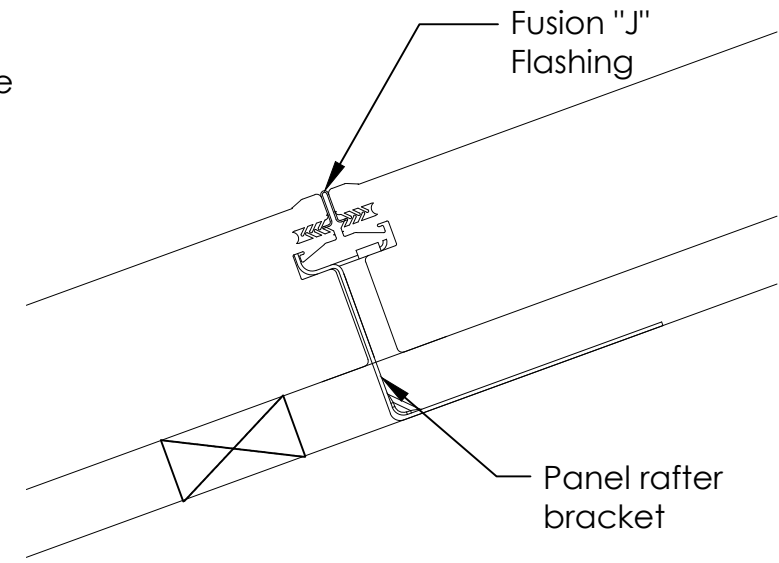
Section 2 - 2



Section 3 - 3



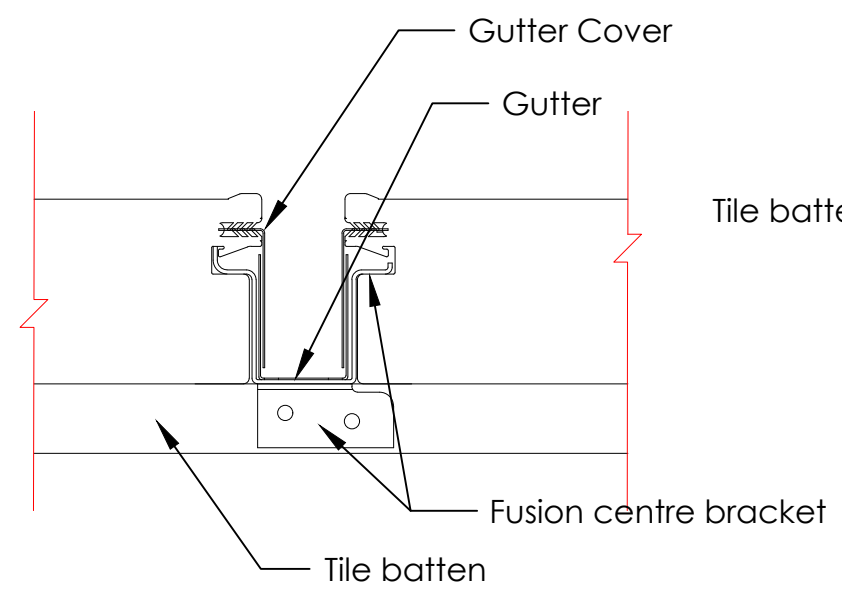
Fusion "J" Flashing



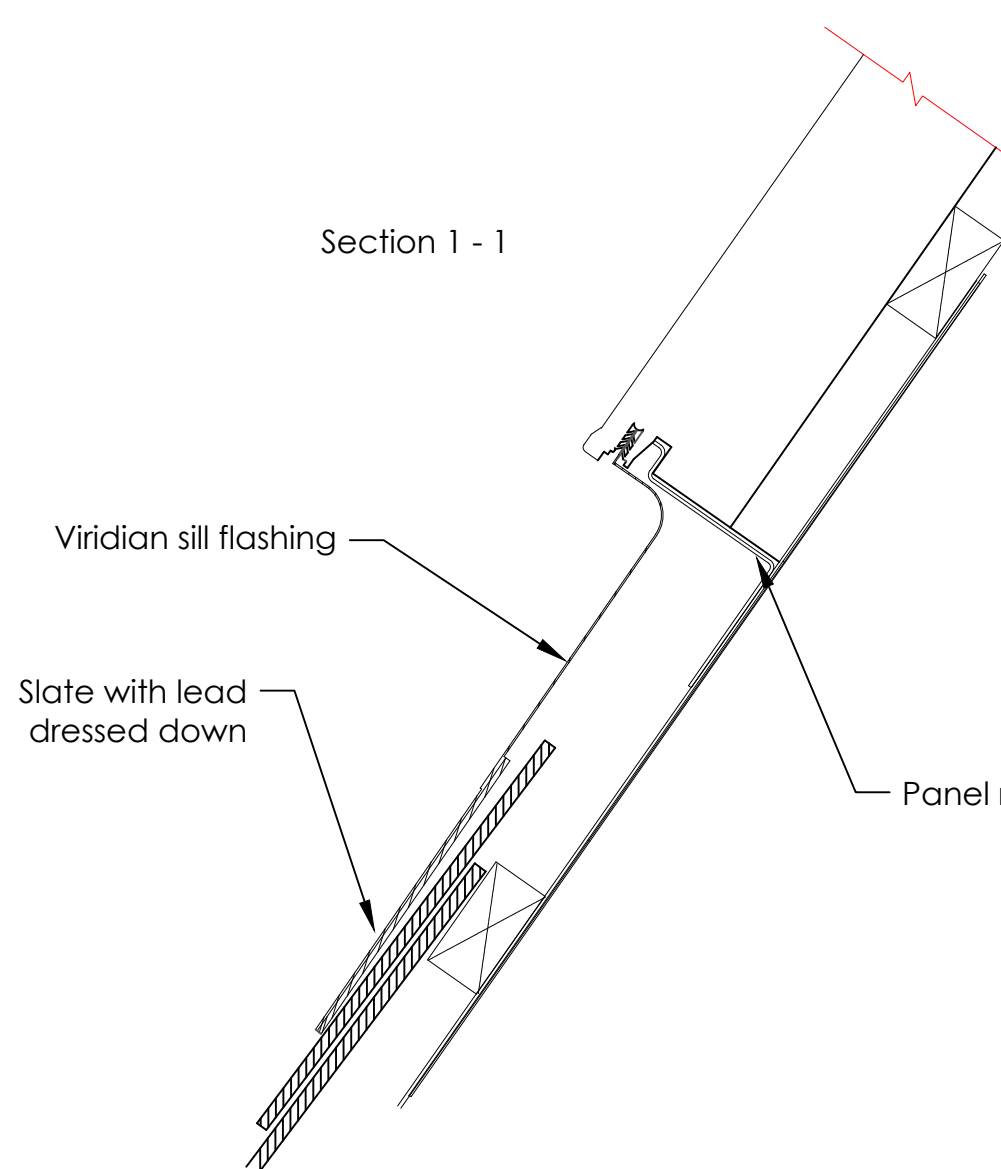
Above-Below Fusion Detail

Gutter Cover

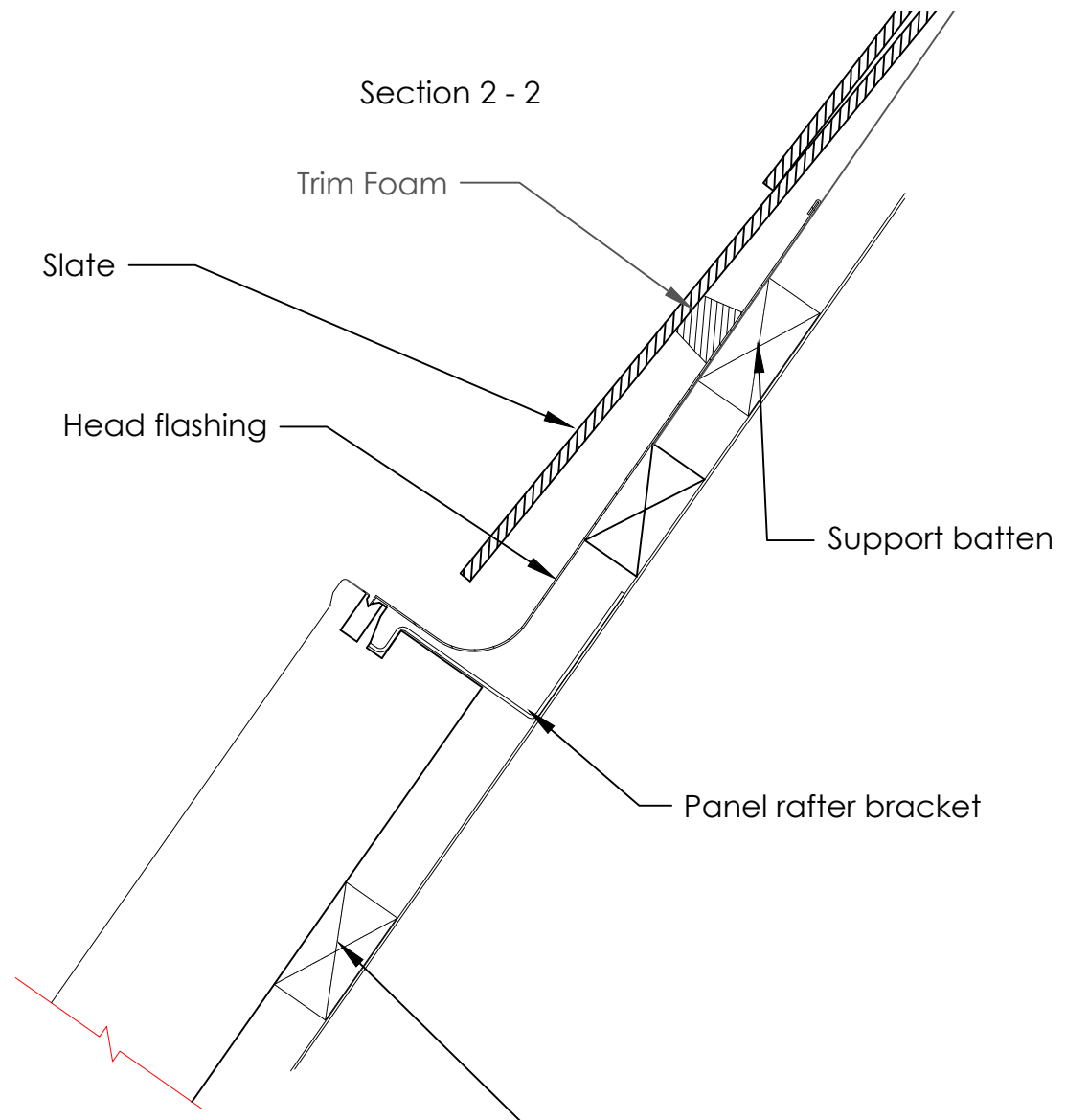
Gutter



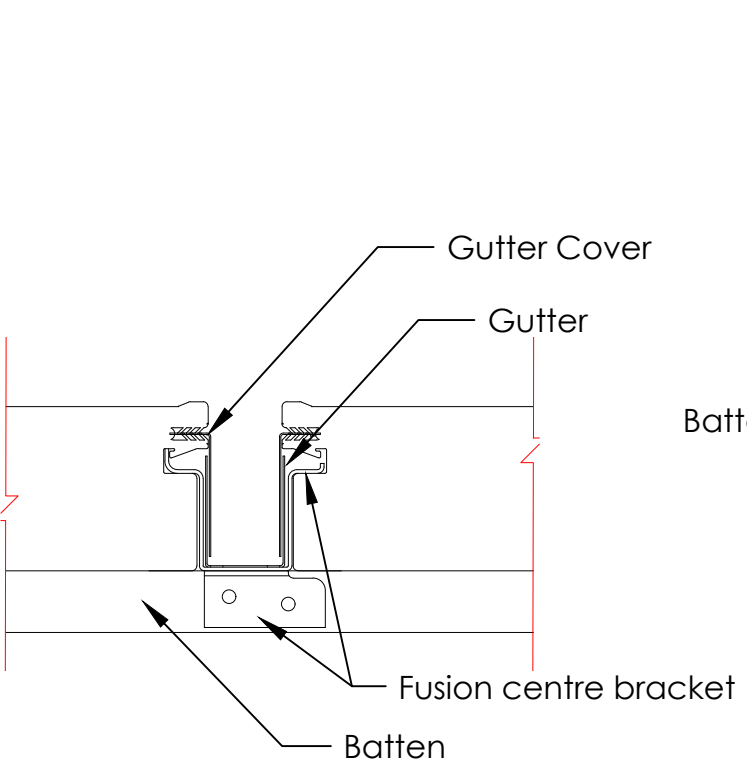
Close-Coupled Fusion Detail



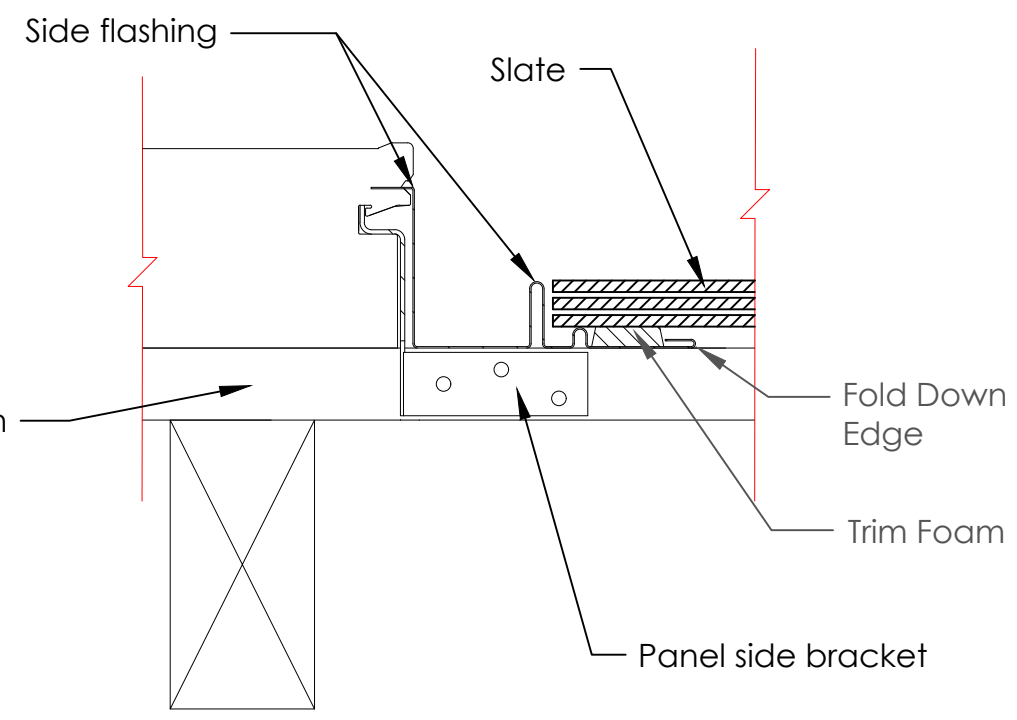
Section 1 - 1



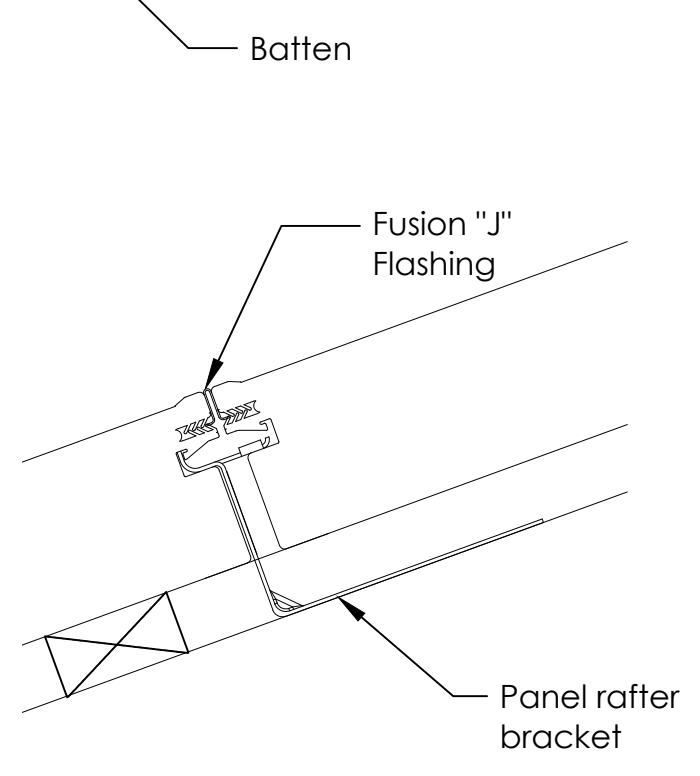
Section 2 - 2



Close-Coupled Fusion Detail



Section 3 - 3



Above-Below Fusion Detail

Disclaimer:
This drawing and the information contained within it are the property of Viridian Concepts Ltd. and may not be reproduced without their express permission.

Issue:
0 30.08.22 Original Issue DG

Notes:
Weight of solar panels: PV16 - M10 = 25kg
Where the panels are fitted into a pitched tiled/slate roof, they sit directly on the roof battens with a uniformly distributed load of 12.8kg per m². Roof structure modifications are unlikely to be necessary as this is typically less than the weight of the replaced roof covering.

Details of flashing fixing - see sheets 3 to 6.

Red line shows the approximate extent of the tiles/slates - Exact dimension will vary according to roof detail. Please see the Viridian Fusion installation manual.



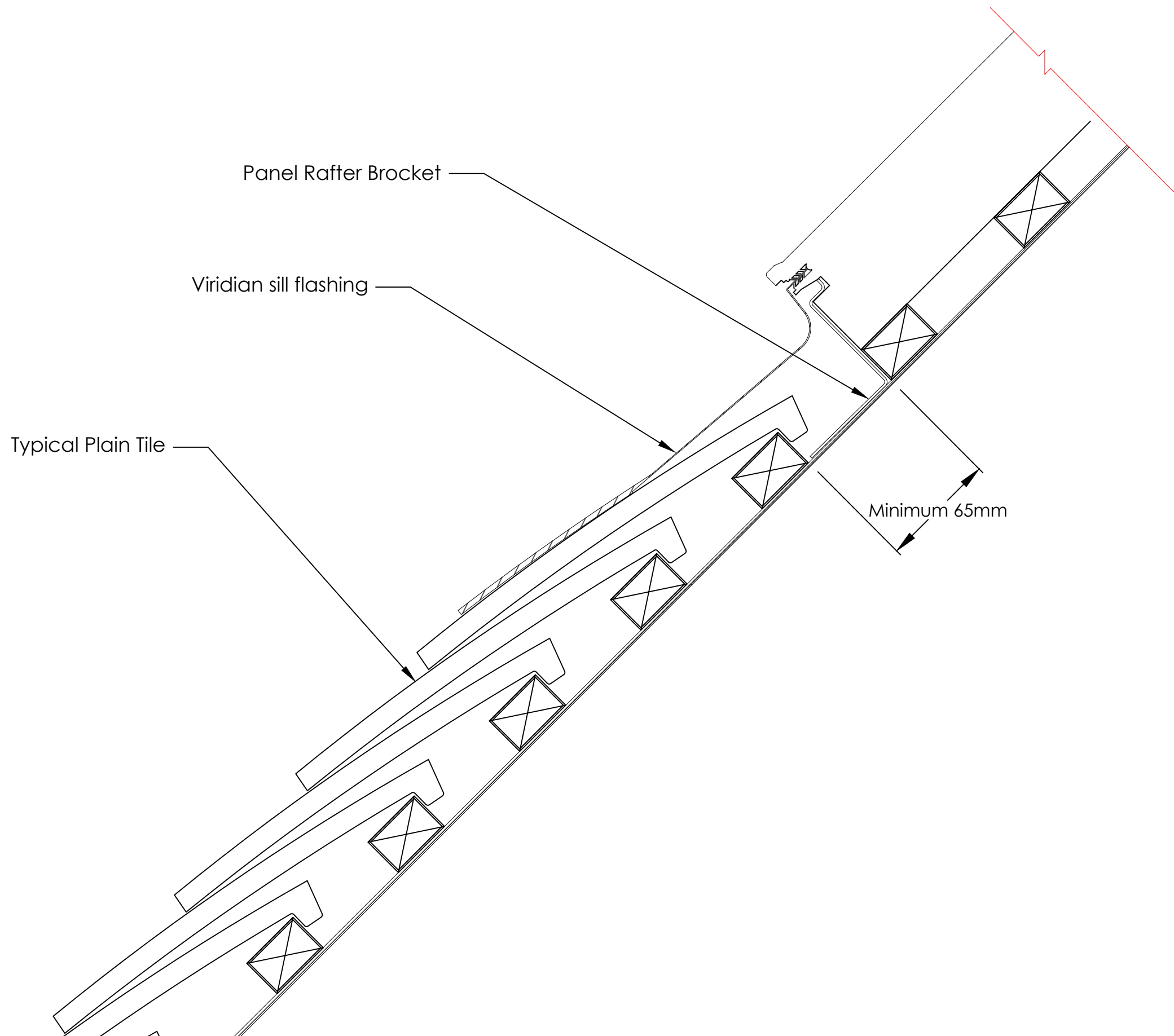
Viridian Solar
Atlas Building,
68 Stirling Way, Papworth,
Cams. CB23 3GY
T 01480 831501
F 01480 831831
www.viridiansolar.co.uk

TITLE
Clearline Fusion - PV16-M10
Integrated Pitched Roof
Fixing Detail - Slate

DRAWN DG CHECKED KTT

DRAWING NUMBER 10 017 Sheet Number 4 of 6

DATE 30.08.22 SCALE NTS



Disclaimer:
 This drawing and the information contained within it are the property of Viridian Concepts Ltd. and may not be reproduced without their express permission.

Issue:
 0 30.08.22 DG
 Original Issue

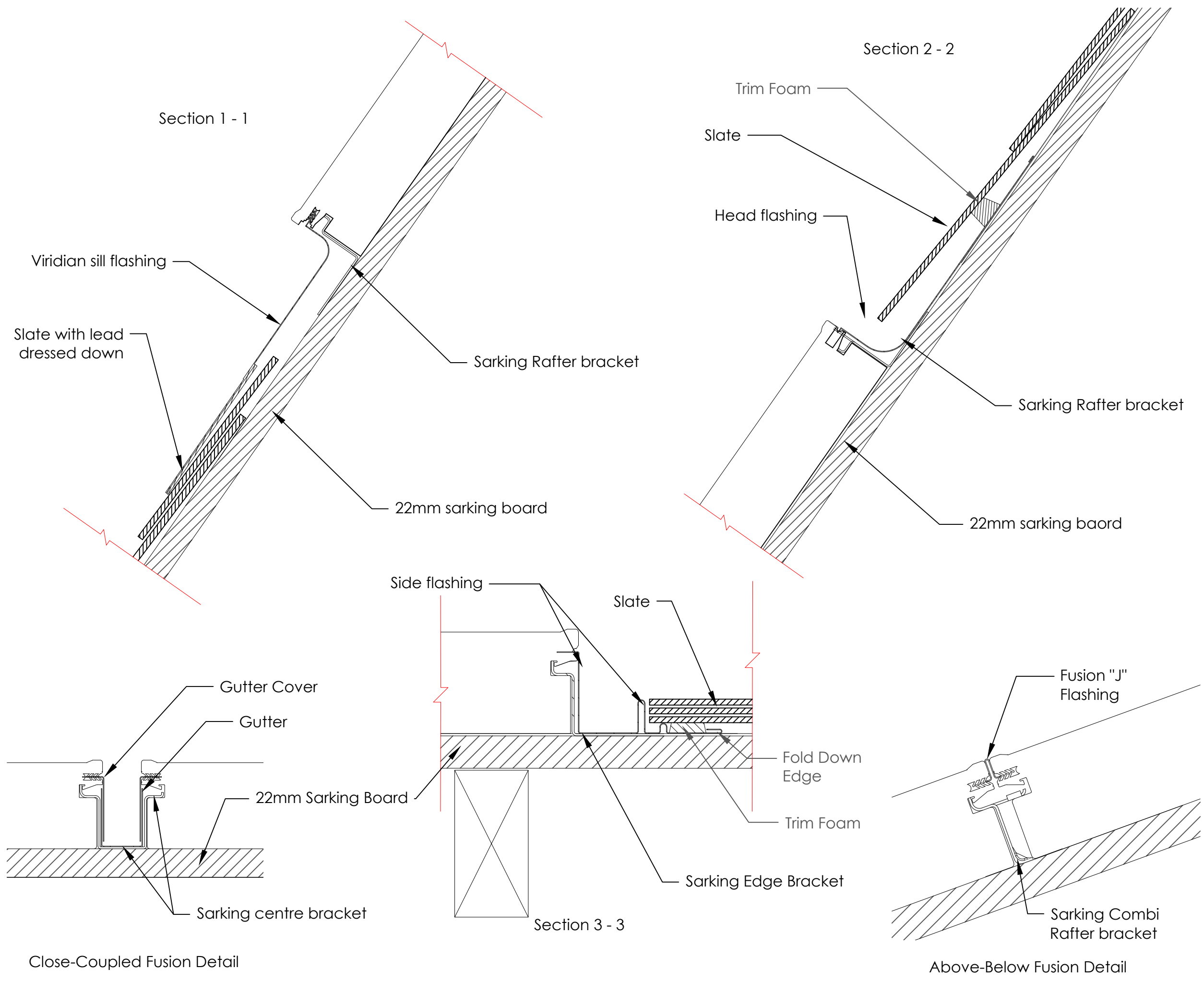
Notes:
 Weight of solar panels: PV16 - M10 = 25kg
 Where the panels are fitted into a pitched tiled/slate roof, they sit directly on the roof battens with a uniformly distributed load of 12.8kg per m². Roof structure modifications are unlikely to be necessary as this is typically less than the weight of the replaced roof covering.
 Details of flashing fixing - see sheets 3 to 6.
 Red line shows the approximate extent of the tiles/slates - Exact dimension will vary according to roof detail. Please see the Viridian Fusion installation manual.



Viridian Solar
 Atlas Building,
 68 Stirling Way, Papworth,
 Cambs. CB23 3GY
 T 01480 831501
 F 01480 831831
 www.viridiansolar.co.uk

TITLE
 Clearline Fusion - PV16-M10
 Integrated Pitched Roof
 Fixing Detail - Plain Tile

DRAWN DG	CHECKED KTT
DRAWING NUMBER 10 017	Sheet Number 5 of 6
DATE 30.08.22	SCALE NTS



Disclaimer:
This drawing and the information contained within it are the property of Viridian Concepts Ltd. and may not be reproduced without their express permission.

Issue:
0 30.08.22 Original Issue DG

Notes:
Weight of solar panels: PV16 - M10 = 25kg
Where the panels are fitted into a pitched tiled/slate roof, they sit directly on the roof battens with a uniformly distributed load of 12.8kg per m². Roof structure modifications are unlikely to be necessary as this is typically less than the weight of the replaced roof covering.

Details of flashing fixing - see sheets 3 to 6.

Red line shows the approximate extent of the tiles/slates - Exact dimension will vary according to roof detail. Please see the Viridian Fusion installation manual.



Viridian Solar
Atlas Building,
68 Stirling Way, Papworth,
Cams. CB23 3GY
T 01480 831501
F 01480 831831
www.viridiansolar.co.uk

TITLE
Clearline Fusion - PV16-M10
Integrated Pitched Roof
Fixing Detail - Slate Sarking

DRAWN DG CHECKED KTT

DRAWING NUMBER 10 017 Sheet Number 6 of 6

DATE 30.08.22 SCALE NTS