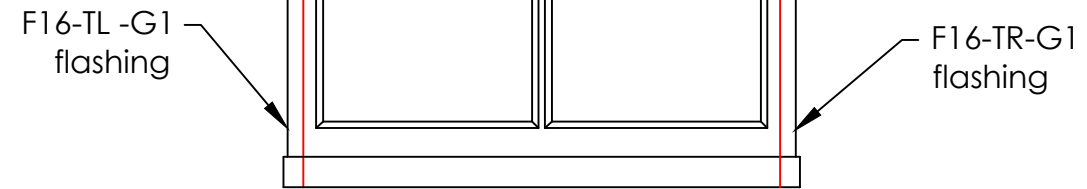


F16-TL-G1 F16-TC-G1 F16-TR-G1

Close-coupled trio of panels  
3320mm

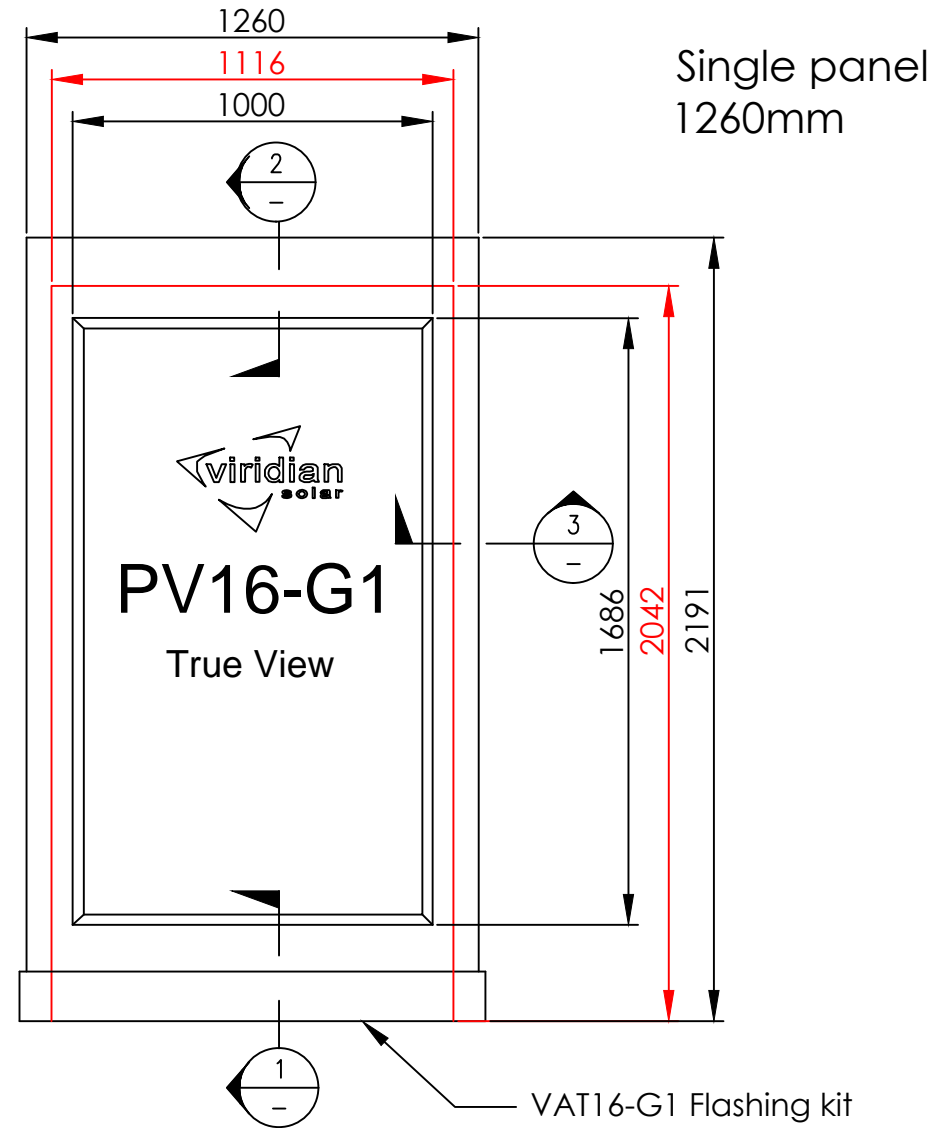
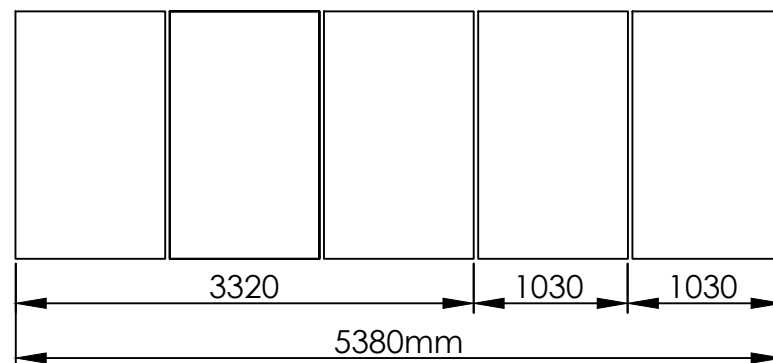


Close-coupled pair of panels  
2290mm

Beyond 3 panels wide, add 1030mm for each additional panel to get the overall measurement to the outer flashing edges

Example for 5 Panel Row:

$$3320 + 1030 + 1030 = 5380\text{mm}$$



Single panel  
1260mm

Disclaimer:  
This drawing and the information contained within it are the property of Viridian Concepts Ltd. and may not be used or reproduced without their express permission.

Notes:  
Weight of solar panels: PV16-G1 - 21kg  
Where the panels are fitted into a pitched tiled roof, they are fixed directly above the roof battens with a uniformly distributed load of 12.9kg per m<sup>2</sup>. Roof structure modifications are unlikely to be necessary, as this is less than the weight of the replaced roof covering. Details of flashing - fixing see sheets 3 to 6. Red dimensions show extent of tiles.

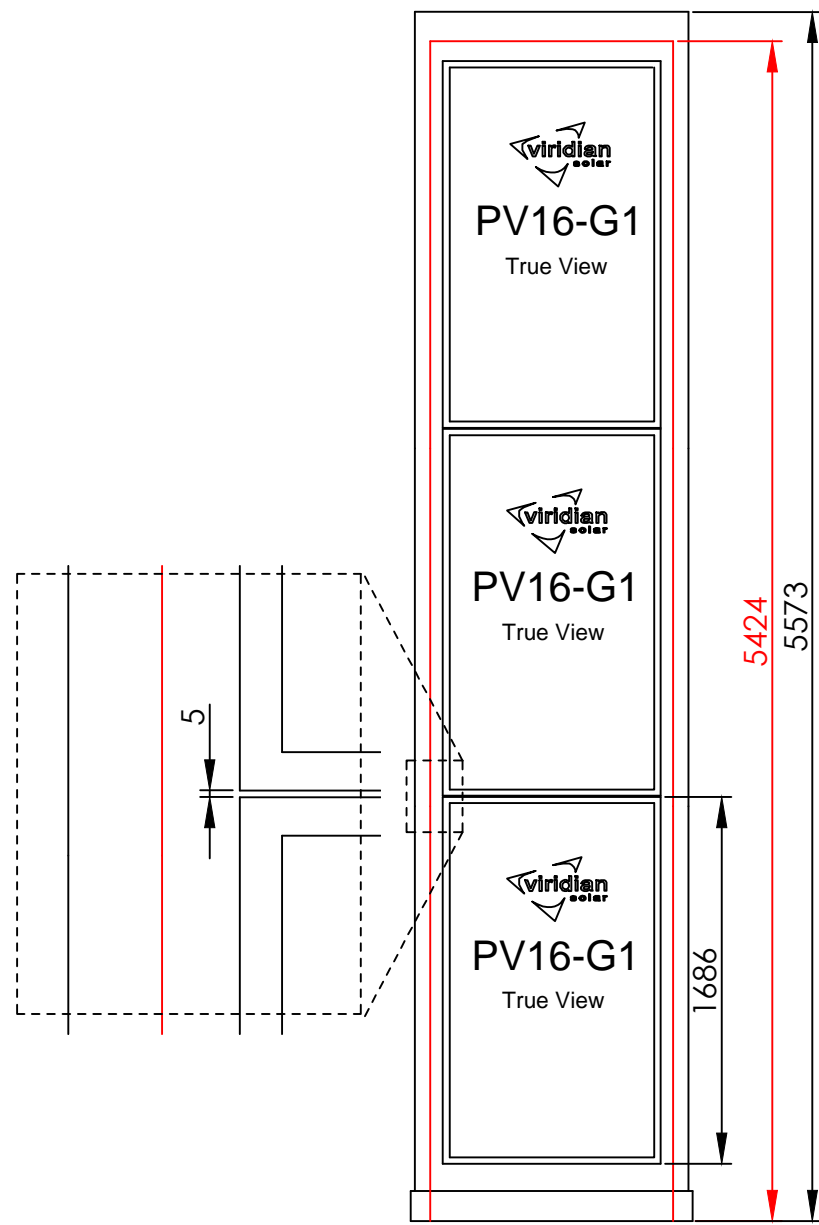
**viridian solar**  
Viridian Solar  
Atlas Building,  
68 Stirling Way, Papworth,  
Cams. CB23 3GY  
T 01480 831501  
F 01480 831831  
www.viridiansolar.co.uk

TITLE  
Clearline Fusion - PV16-G1  
Portrait Integrated Pitched Roof  
Flashing Detail

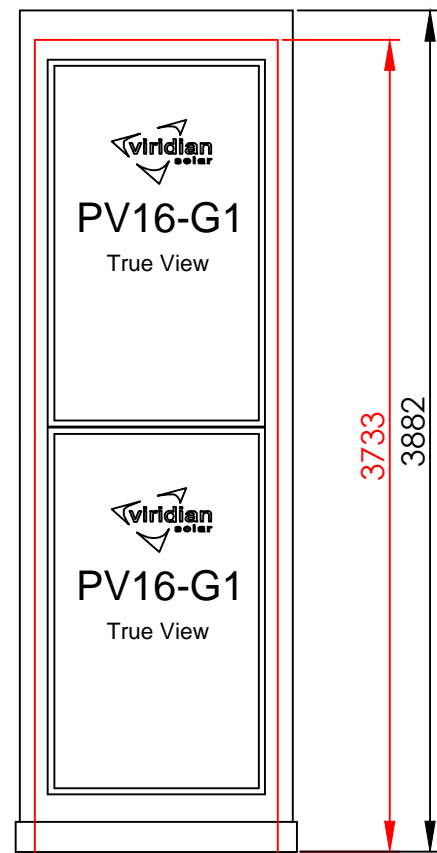
DRAWN  
DG  
CHECKED  
KTT

DRAWING NUMBER  
10 013  
SHEET  
1 of 6

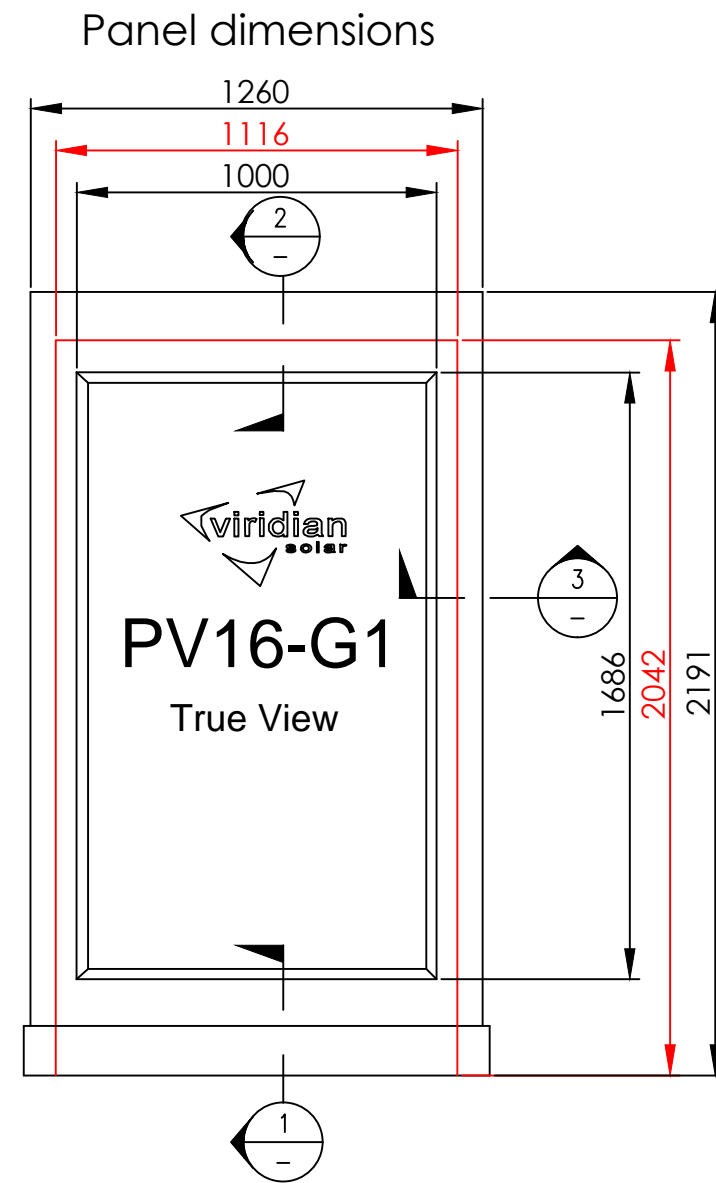
DATE  
11.11.20  
SCALE



Height for 3 Rows of Fusion - 5573mm



Height for 2 Rows of Fusion - 3882mm



Height for Single Row of Fusion - 2191mm

Total Height for 3 rows = 5573mm  
Add 1691mm for each additional row

Example: For 5 Rows

$$5573 + 1691 + 1691 = 8955\text{mm.}$$

Disclaimer:

This drawing and the information contained within it are the property of Viridian Concepts Ltd. and may not be used or reproduced without their express permission.

0

Notes:



Viridian Solar  
Atlas Building,  
68 Stirling Way, Papworth,  
Cams. CB23 3GY  
T 01480 831501  
F 01480 831831  
www.viridiansolar.co.uk

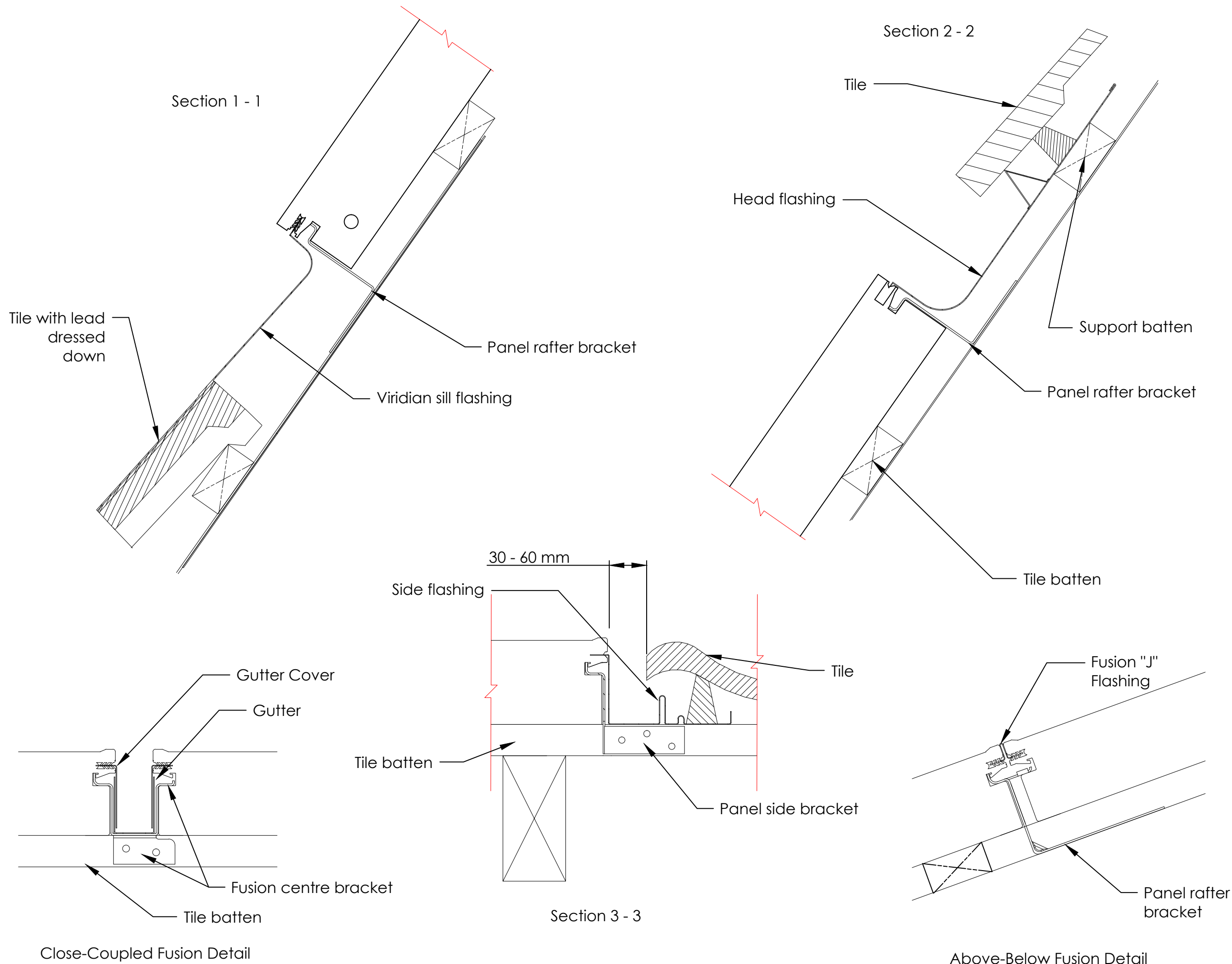
TITLE  
Clearline Fusion - PV16-G1  
Portrait Integrated Pitched Roof  
Flashing Detail

|                          |                 |
|--------------------------|-----------------|
| DRAWN<br>DG              | CHECKED<br>KTT  |
| DRAWING NUMBER<br>10 013 | SHEET<br>2 of 6 |
| DATE<br>11.11.20         | SCALE           |

Disclaimer:  
 This drawing and the information contained within it are the property of Viridian Concepts Ltd. and may not be used or reproduced without their express permission.

0

Notes:



**viridian solar**

Viridian Solar  
 Atlas Building,  
 68 Stirling Way, Papworth,  
 Cambs. CB23 3GY  
 T 01480 831501  
 F 01480 831831  
 www.viridiansolar.co.uk

TITLE  
 Clearline Fusion PV16-G1  
 Portrait Integrated Pitched Roof  
 Fixing Details - Interlocking tiles

|              |                |
|--------------|----------------|
| DRAWN<br>AHS | CHECKED<br>KTT |
|--------------|----------------|

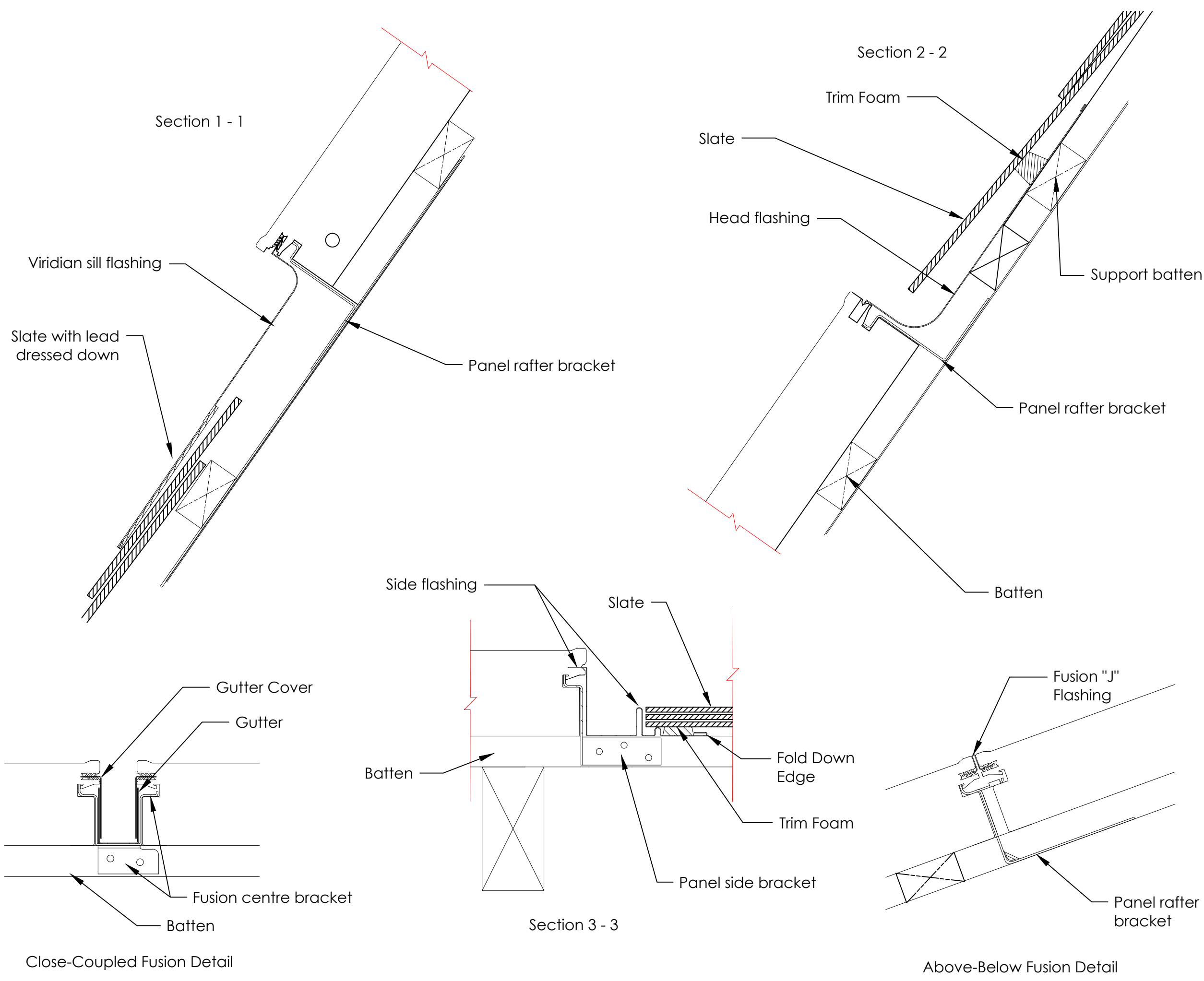
|                          |                 |
|--------------------------|-----------------|
| DRAWING NUMBER<br>10 013 | SHEET<br>3 of 6 |
|--------------------------|-----------------|

|                  |       |
|------------------|-------|
| DATE<br>11.11.20 | SCALE |
|------------------|-------|

Disclaimer:  
 This drawing and the information contained within it are the property of Viridian Concepts Ltd. and may not be used or reproduced without their express permission.

0

Notes:



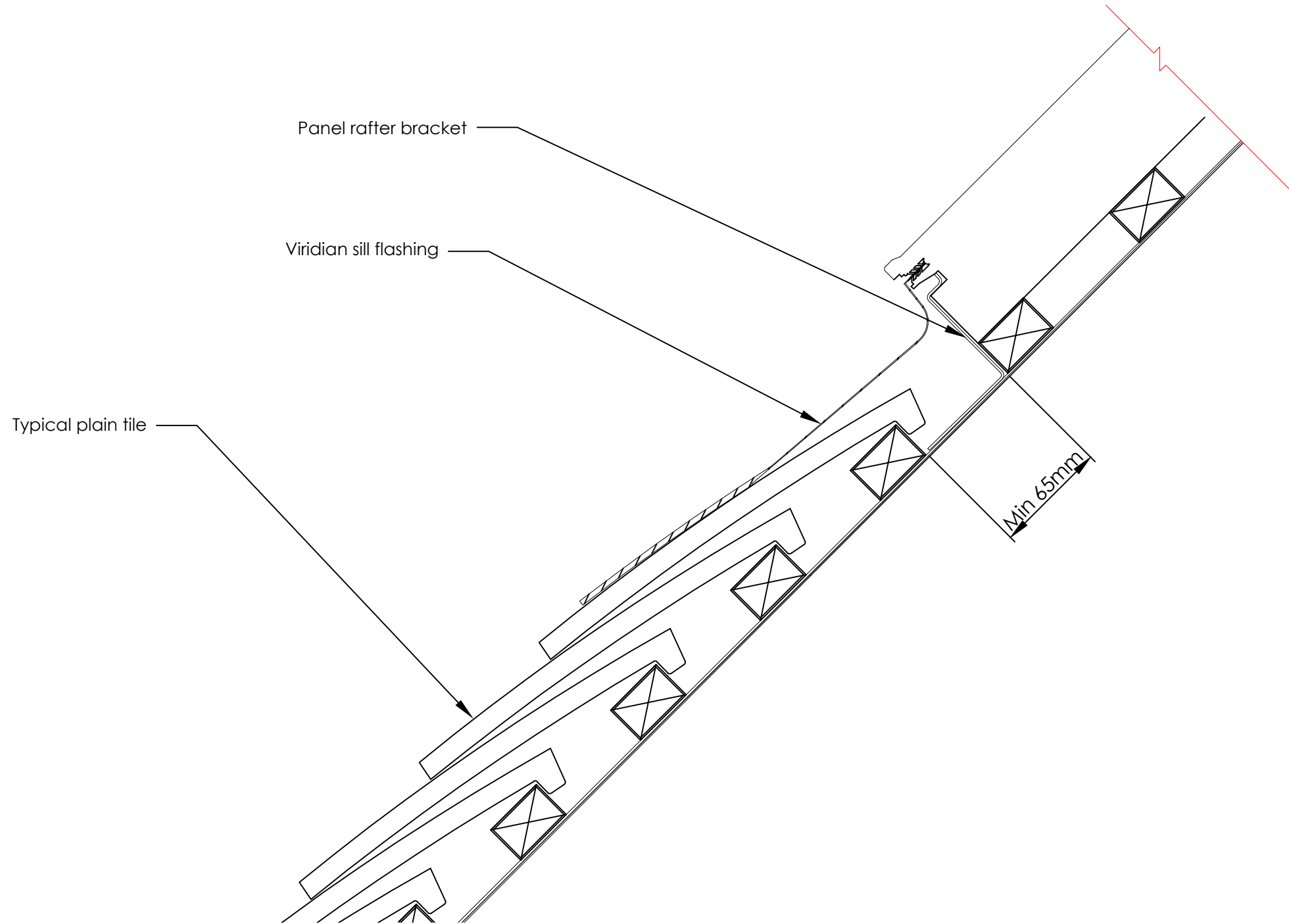
**viridian solar**  
 Viridian Solar  
 Atlas Building,  
 68 Stirling Way, Papworth,  
 Cambs. CB23 3GY  
 T 01480 831501  
 F 01480 831831  
 www.viridiansolar.co.uk

TITLE  
 Clearline Fusion PV16-G1  
 Portrait - Integrated Pitched  
 Roof Fixing Details - Slates

DRAWN AHS CHECKED KTT

DRAWING NUMBER 10 013 SHEET 4 of 6

DATE 11.11.20 SCALE



Disclaimer:

This drawing and the information contained within it are the property of Viridian Concepts Ltd. and may not be used or reproduced without their express permission.

0

Notes:

Final setting out should be completed by the roofer to ensure that the sill flashing is fully supported to give a neat and watertight finish.


 Viridian Solar  
 Atlas Building,  
 68 Stirling Way, Papworth,  
 Cambs. CB23 3GY  
 T 01480 831501  
 F 01480 831831  
 www.viridiansolar.co.uk

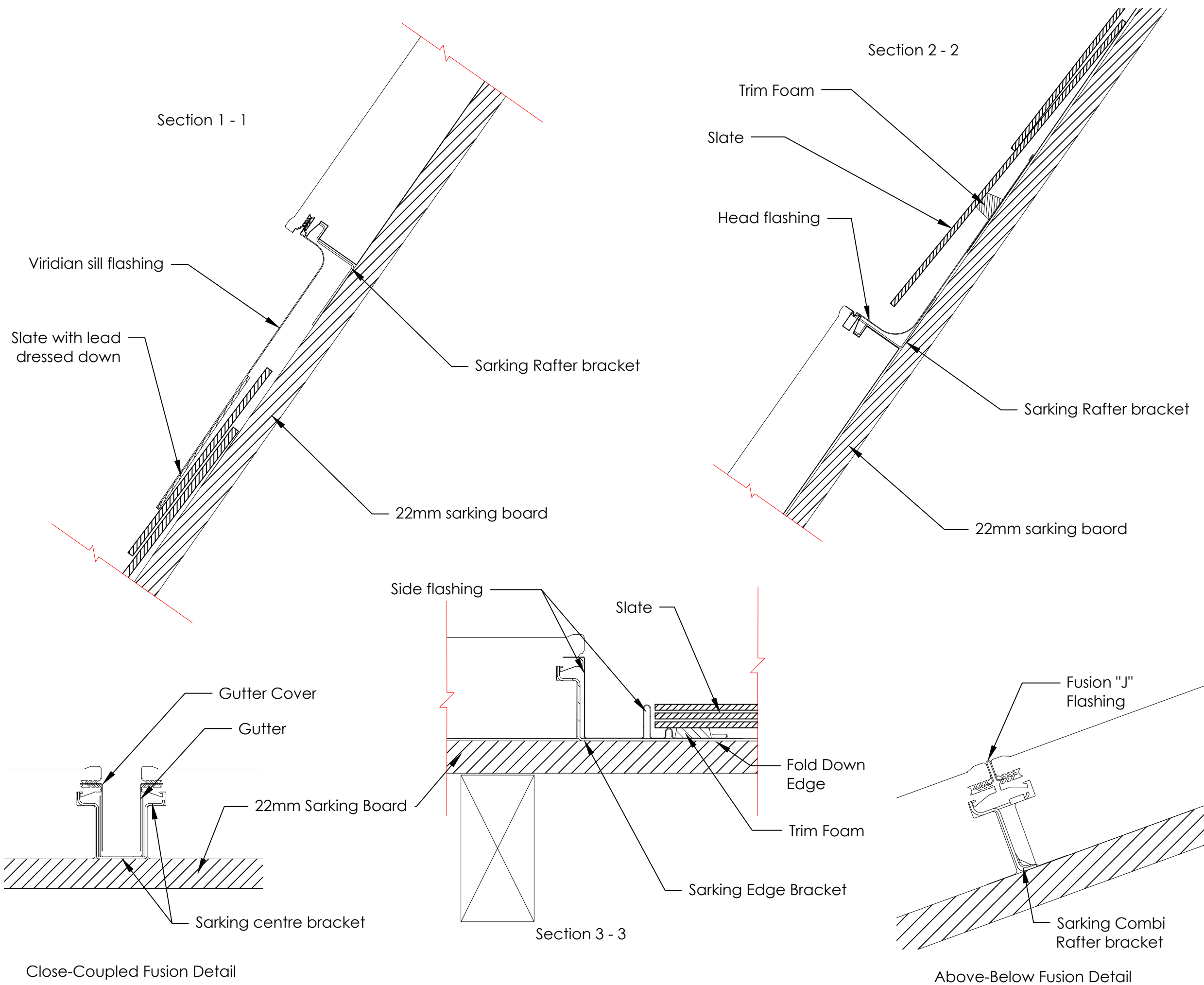
TITLE  
 Clearline Fusion PV16-G1  
 Portrait - Integrated Pitched  
 Roof Fixing Details - Plain Tile

|                |          |         |        |
|----------------|----------|---------|--------|
| DRAWN          | AHS      | CHECKED | KTT    |
| DRAWING NUMBER | 10 013   | SHEET   | 5 of 6 |
| DATE           | 11.11.20 | SCALE   |        |

Disclaimer:  
 This drawing and the information contained within it are the property of Viridian Concepts Ltd. and may not be used or reproduced without their express permission.

0

Notes:



**viridian solar**  
 Viridian Solar  
 Atlas Building,  
 68 Stirling Way, Papworth,  
 Cambs. CB23 3GY  
 T 01480 831501  
 F 01480 831831  
 www.viridiansolar.co.uk

TITLE Clearline Fusion PV16-G1  
 Portrait - Integrated Pitched  
 Roof Fixing Details - Slate  
 Sarking

DRAWN DG CHECKED KTT

DRAWING NUMBER 10 013 SHEET 6 of 6

DATE 11.11.20 SCALE